

ULTIMATE SECURITY WINDOW SCREENS

PRODUCT MEASURING GUIDE

1 Evaluate Window & Determine Ultimate Window Screen Type

There are 3 types:

Fixed – Slimline, stationary window screen that covers the entire window or door sidelite and cannot be opened. Surface mount only. *Does not meet code for providing child-safe, emergency egress.*

Cleanable - Operating window screen that opens from the outside to allow seasonal cleaning access. Surface or inside mount must be specified. *Does not meet code for providing child-safe, emergency egress.*

Quick Escape - Operating window screen that opens quickly from the inside to allow for emergency exit. Surface or inside mount must be specified. Designed to meet code for child-safe emergency egress.

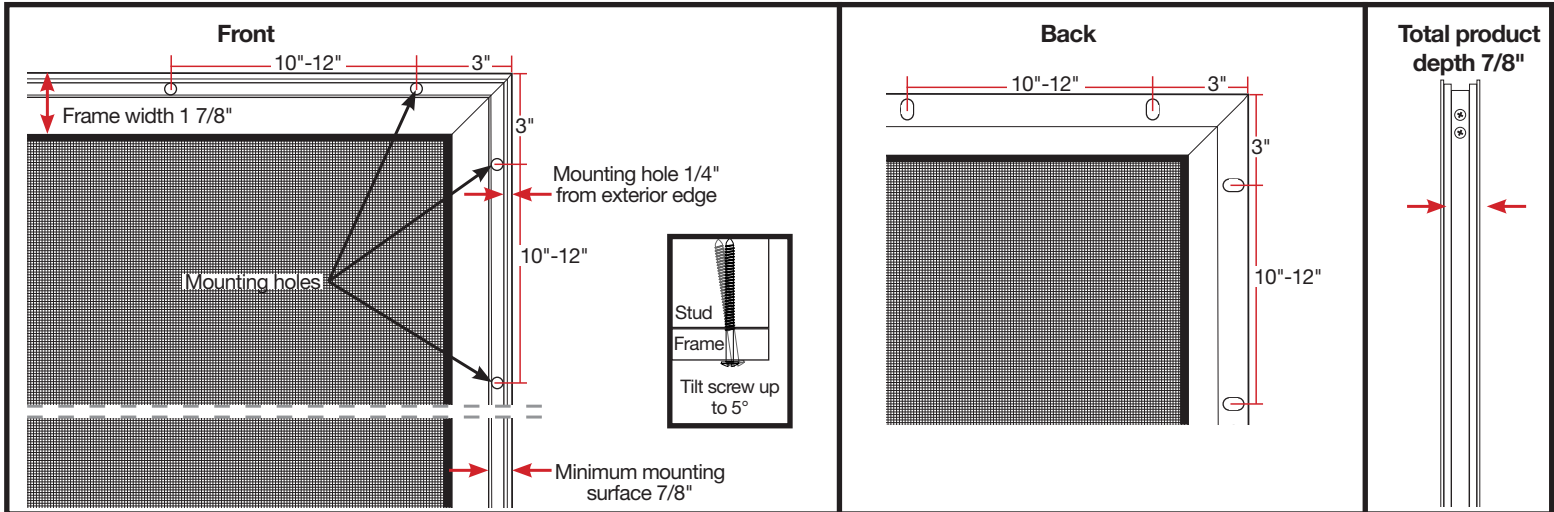
This guide contains procedures and instructions for proper measurement before installing a security screen door. If a circumstance comes up that is not covered in this guide, please contact us for help at:

Unique Home Designs
973 N. Colorado Street, Gilbert AZ. 85233
or

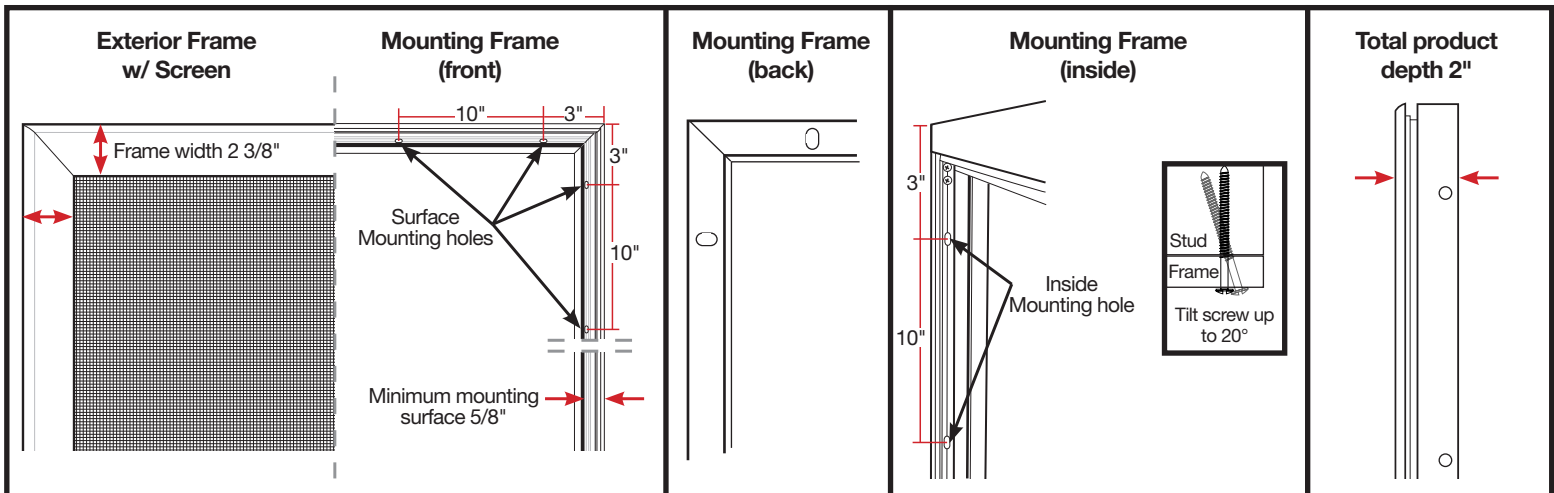
VIEW INSTALLATION VIDEOS
AND LATEST INFORMATION AT
helpmeinstallit.com

2 Review Screen Frame and Mounting Surface Specifications

Fixed Ultimate Window Screens are **surface mount only** with pre-drilled mounting holes that allow for up to 5 degree screw angle at installation as shown.

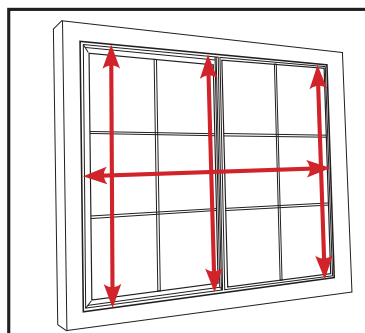


Quick Escape and Cleanable Ultimate Window Screens come with pre-drilled mounting holes for either surface or inside mount that allow for up to 20 degree screw angle at installation as shown.

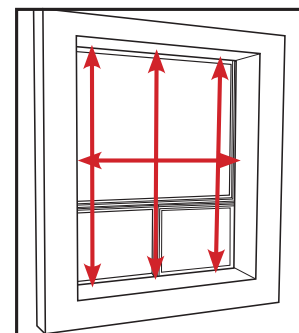


3 Identify Mounting Surface

Based on the frame and minimum mounting surface of the product type selected and keeping in mind that the Ultimate Window Screens must be fastened to the framing of the home surrounding the window, identify the mounting surface for the window screen, checking carefully for any obstructions or interference. You may need to remove an obstruction or in some cases trim out a suitable mounting surface if the window and surrounding surface configuration do not provide one.



Typical Surface Mount



Typical Inside Mount

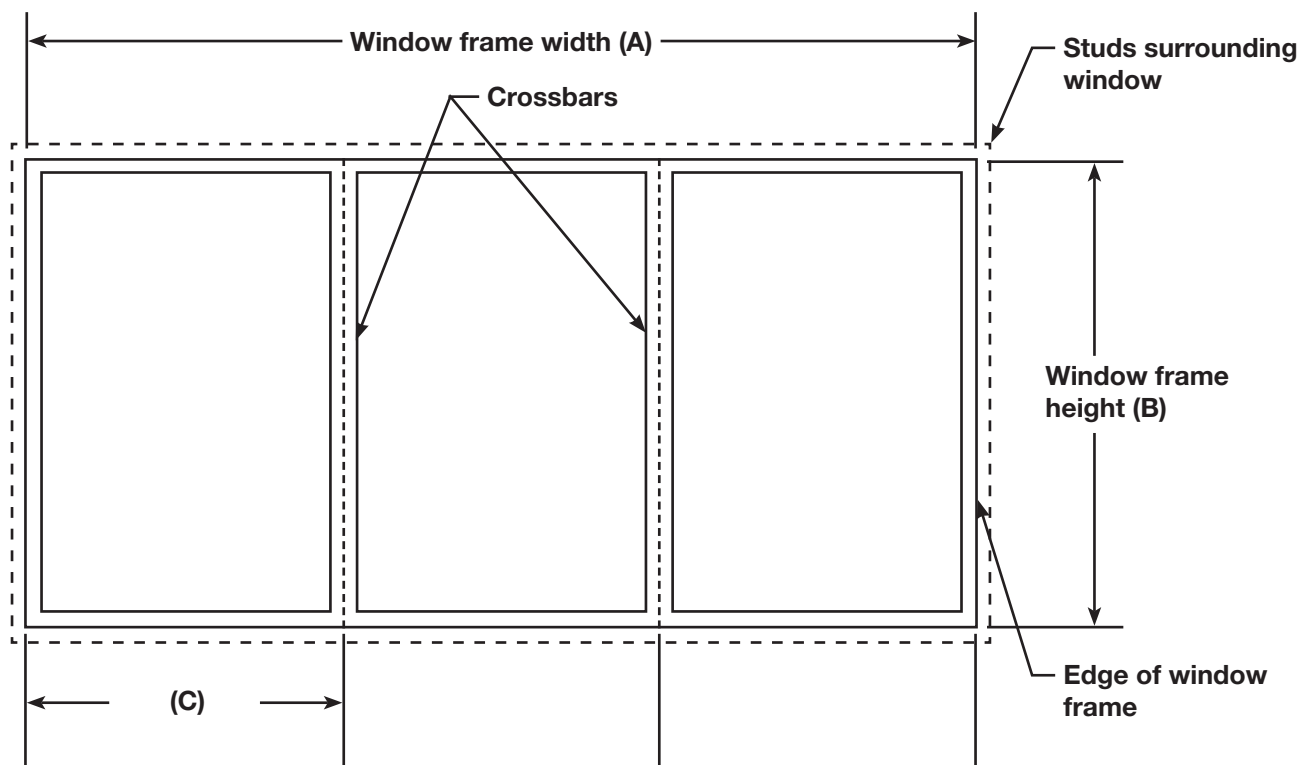
4 Measure Rough Opening

Measure rough opening width from edge-to-edge of the mounting surface identified for surface mount or surface-to-surface for inside mount in three locations and record the smallest width. Measure the rough opening height using the same method and record the smallest height. Repeat for all windows and record below.

5 Measure for Crossbar (if applicable)

Note: if window measurement is over 3,565 square inches a crossbar is required. This can be placed vertically or horizontally and will be centered on the window unless otherwise specified. One or two crossbars may be ordered to match current windows and both must be either horizontal or vertical. Both crossbars must be equal distance from edge of window frame.

To measure for a crossbar to match current window bars, measure the width of the window frame (A). Measure the height of the window frame (B). Then measure the width from outside window frame to the center of existing window bar (C).



6 Record Dimensions

Screen Type Fixed Cleanable Quick Escape

Mount Type Surface Inside

Surface Mount Width	Rough Opening	+ 2" = Outer Dim.
Surface Mount Height		+ 2" = Outer Dim.

Inside Mount Width	Rough Opening	- 1/4" = Outer Dim.
Inside Mount Height		- 1/4" = Outer Dim.

Optional Crossbar Window Frame Width (A) Window Frame Height (B) Window One* Width (C)