

# TRACK MOUNT HEAVY DUTY PATIO SCREEN DOOR

## PRODUCT MEASURING GUIDE

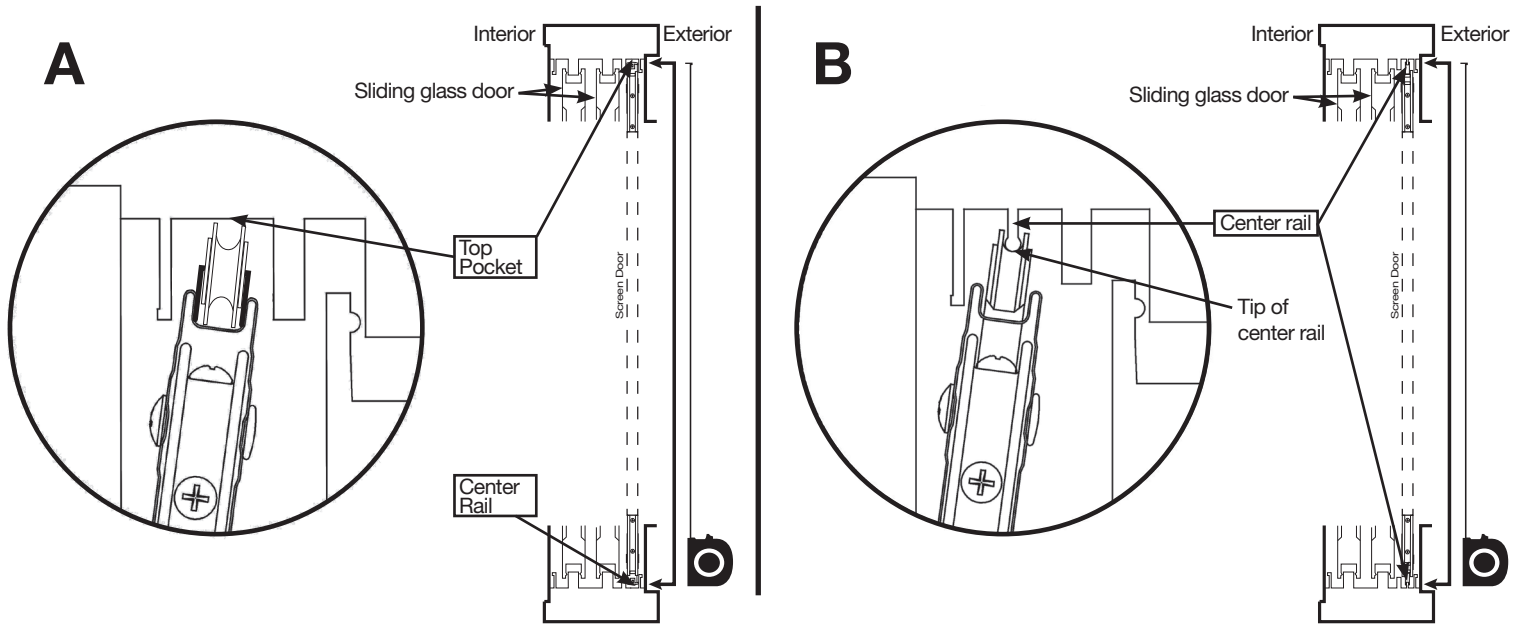
### 1 Determine Track Type and Measure Patio Screen Door Opening Height

If main patio door and track are vinyl, indicate below.

**A. Center Channel:** Measure from inside top pocket to center rail at bottom of sliding screen door track.

**B. Center Rail:** Measure tip-to-tip of center rail at top and bottom of sliding screen door track.

Take height measurements in 3 locations, left/center/right. Use the **SHORTEST** measurement for final patio screen door opening height and record below.

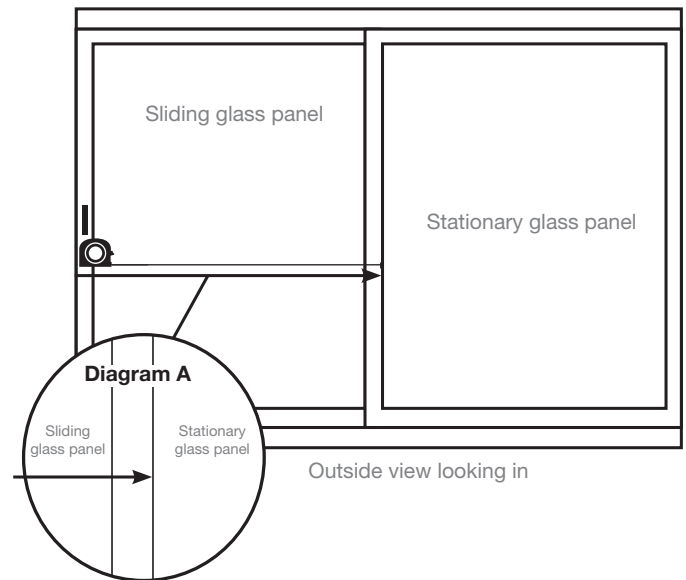


### 2 Measure Patio Screen Door Opening Width

Measure from the surface of the side pocket where the patio screen door will latch to the far edge of the vertical stile of the main patio door stationary glass panel and record below. (see diagram A)

### 3 Determine Handle Side

Looking from the outside of the door in, specify placement of handle as either right or left. (Left showing in diagram)



This guide contains procedures and instructions for proper measurement before installing a Meshtec Patio Screen Door. If a circumstance comes up that is not covered in this guide, please contact us for help at:

**Unique Home Designs**

973 N. Colorado Street, Gilbert AZ. 85233

or

VIEW INSTALLATION VIDEOS  
AND LATEST INFORMATION AT

 [helpmeinstallit.com](http://helpmeinstallit.com)

Door Opening Width

Door Opening Height

Main Patio Door Type  Metal  Vinyl

Handle Side  Right  Left

Note: 5/16" will be deducted from the door opening height by UHD's ordering system.