

CUSTOM-SIZED ONLY SLIDING PATIO SCREEN DOOR

MODELS: Standard & Supreme

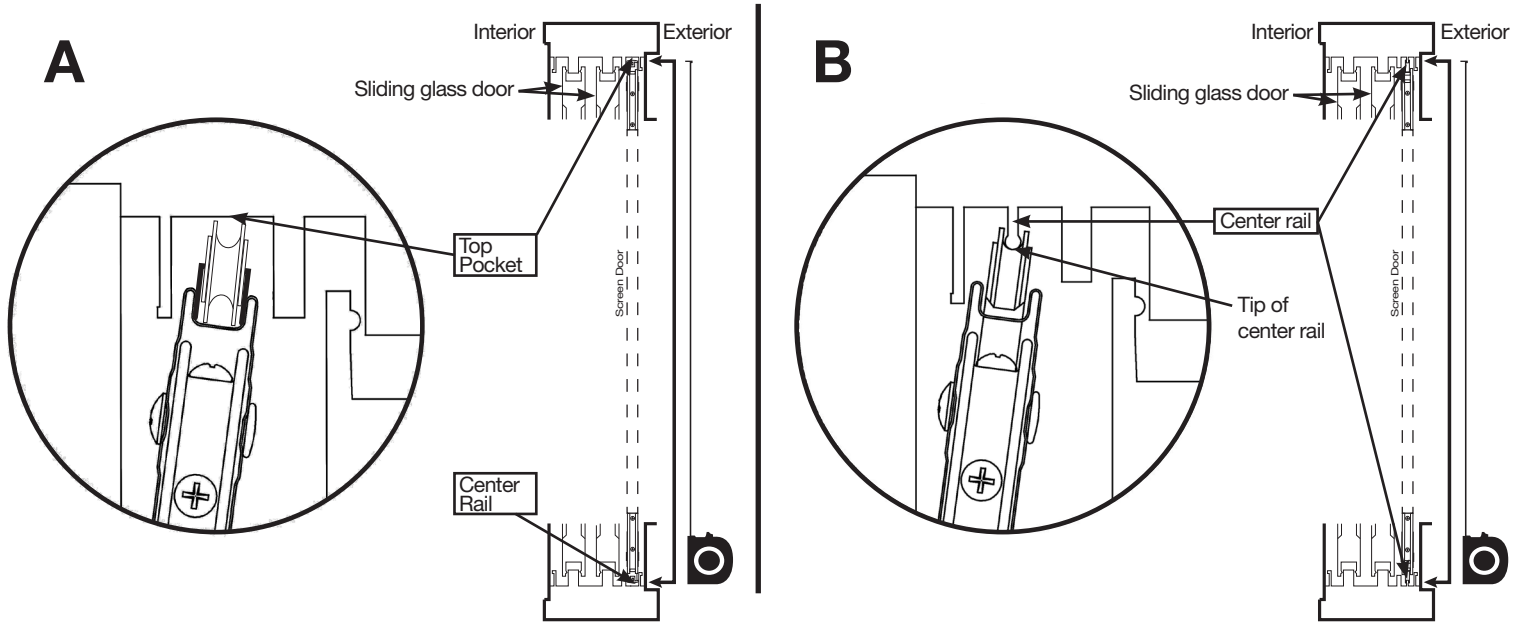
PRODUCT MEASURING GUIDE

1 Determine Track Type and Measure Patio Screen Door Opening Height

A. Center Channel: Measure from inside top pocket to center rail at bottom of sliding screen door track.

B. Center Rail: Measure tip-to-tip of center rail at top and bottom of sliding screen door track.

Take height measurements in 3 locations, left/center/right. Use the **SHORTEST** measurement for final patio screen door opening height and record below.

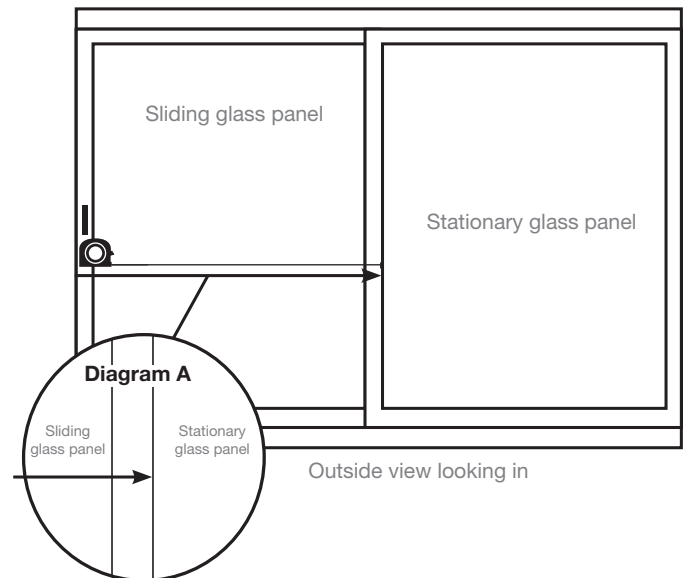


2 Measure Patio Screen Door Opening Width

Measure from the surface of the side pocket where the patio screen door will latch to the far edge of the vertical stile of the main patio door stationary glass panel and record below. (see diagram A)

3 Determine Handle Side

Looking from the outside of the door in, specify placement of handle as either right or left. (Left showing in diagram)



This guide contains procedures and instructions for proper measurement before installing a Meshtec Patio Screen Door. If a circumstance comes up that is not covered in this guide, please contact us for help at:

Unique Home Designs

973 N. Colorado Street, Gilbert AZ. 85233

or

VIEW INSTALLATION VIDEOS
AND LATEST INFORMATION AT

 helpmeinstallit.com

Door Opening Width

Handle Side

Right

Left

Door Opening Height

Note: For Center Channel application (A) deduct 1/4" from height measurement.