

SLIDING PATIO SECURITY SCREEN DOOR

PRODUCT MEASURING GUIDE

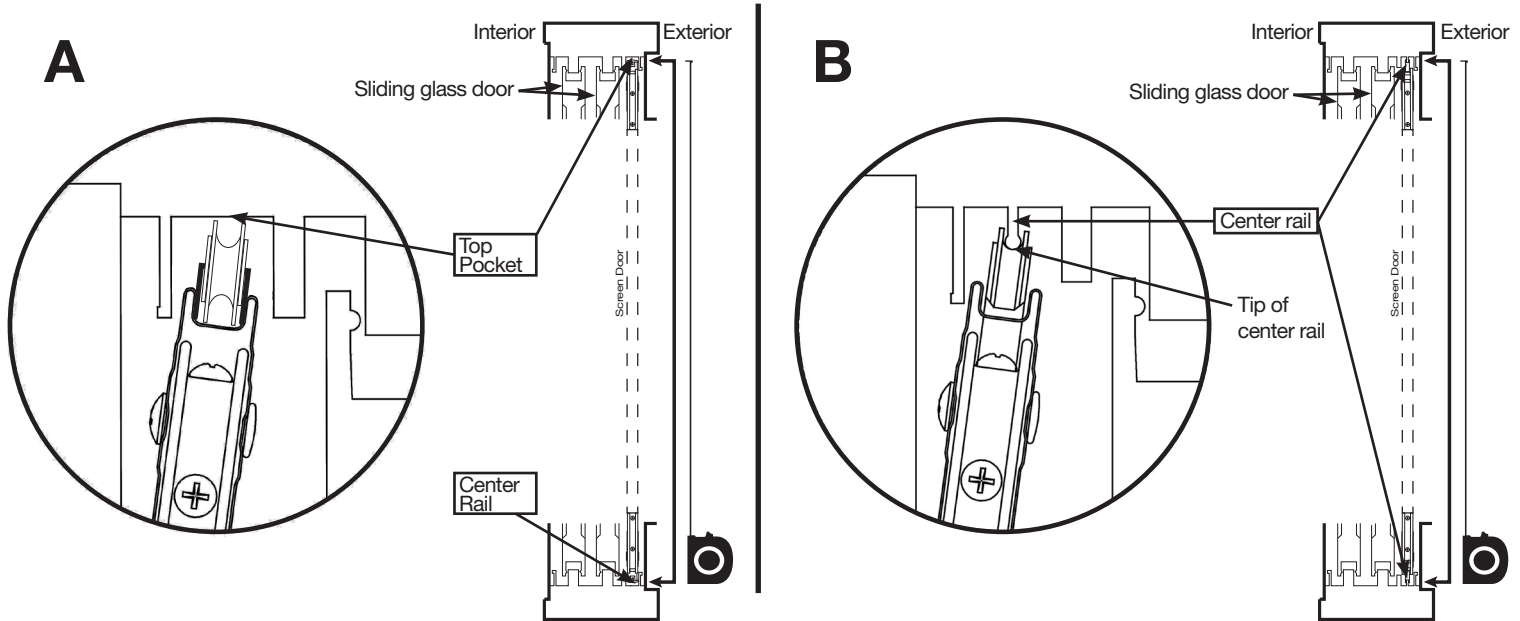
1 Determine Track Type and Measure Patio Screen Door Opening Height

If main patio door and track are vinyl, indicate below.

A. Center Channel: Measure from inside top pocket to center rail at bottom of sliding screen door track.

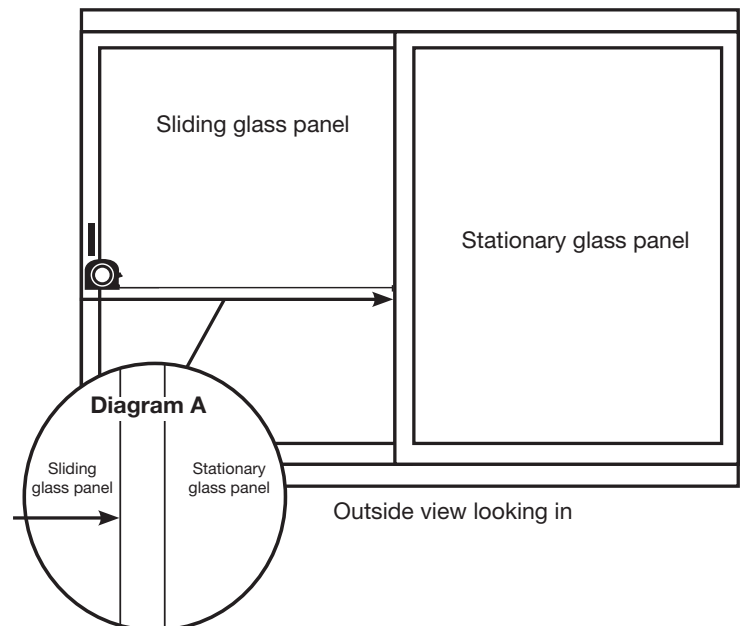
B. Center Rail: Measure tip-to-tip of center rail at top and bottom of sliding screen door track.

Take height measurements in 3 locations, left/center/right. Use the **SHORTEST** measurement for final patio screen door opening height and record below.



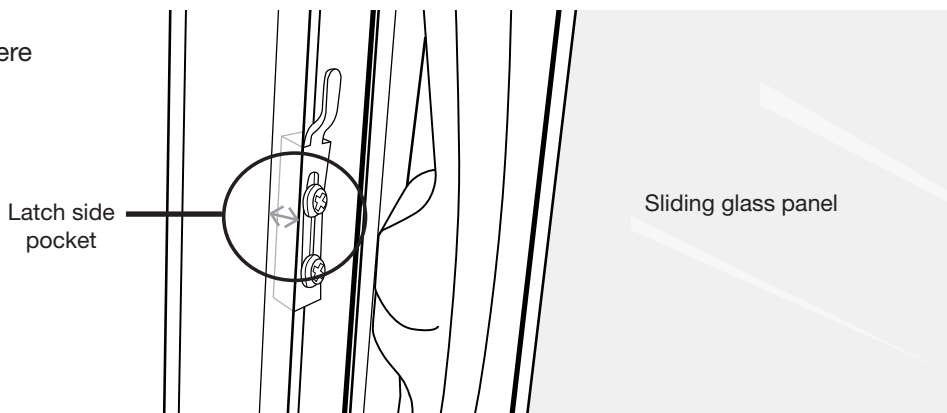
2 Measure Patio Screen Door Opening Width

Measure from the surface of the side pocket where the patio screen door will latch to the near edge of the vertical stile of the main patio door stationary glass panel and record below.
(see *diagram A*)



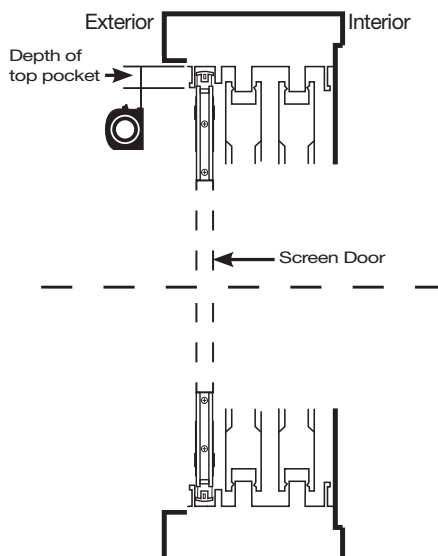
3 Measure Latch Side Pocket Depth

Measure from the front surface where the patio security screen door will latch. If there is no pocket, this measurement is 0. Record below.



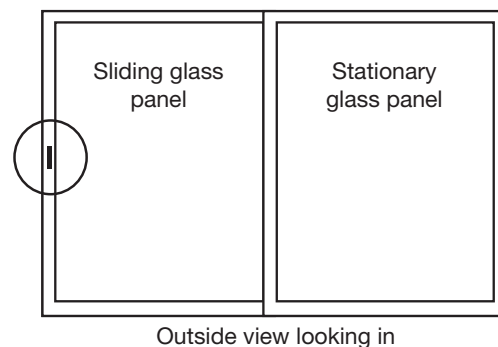
4 Measure Top Pocket Depth

Measure the depth of the front of the top pocket where the patio screen door will be installed.



5 Determine Handle Side

Looking from the outside of the door in, specify placement of handle as either right or left. (Left shown in diagram)



Door opening width

Door opening height

Latch side pocket depth

Top pocket depth

Main patio door type Metal Vinyl

Handle side Right Left

This guide contains procedures and instructions for proper measurement before installing a Meshtec Patio Screen Door. If a circumstance comes up that is not covered in this guide, please contact us for help at Unique Home Designs, 973 N. Colorado Street, Gilbert AZ 85233

VIEW INSTALLATION VIDEOS AND LATEST INFORMATION AT helpmeinstallit.com