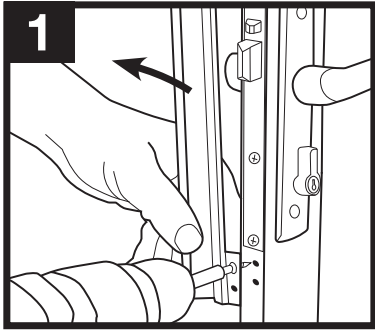
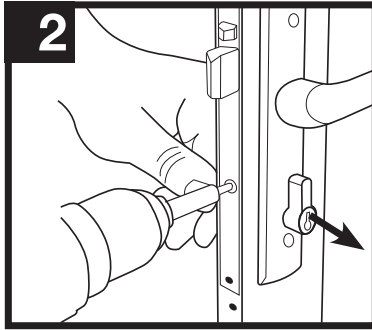


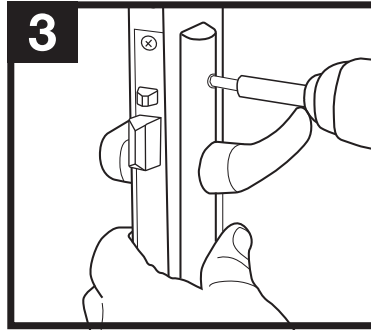
Reset locking mechanism



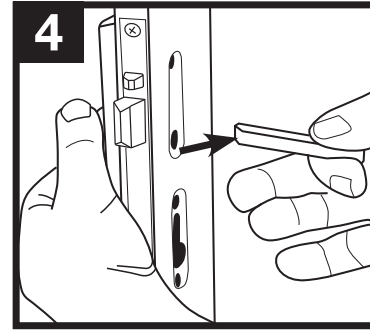
1 Remove latch guard, if installed (4 mounting screws, 2 top, 2 bottom, on edge of door frame).



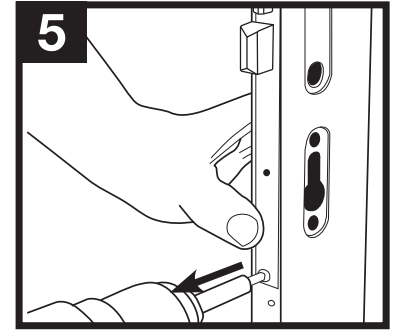
2 Remove cylinder by removing set screw through edge of door panel and pulling cylinder out of the door.



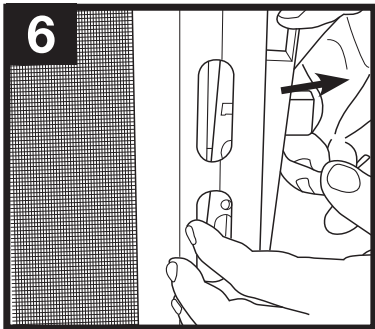
3 Remove handleset trim plates (2 mounting screws) – hold handles so they do not drop to floor.



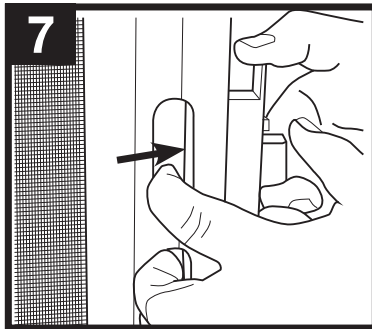
4 Remove handles and spindle.



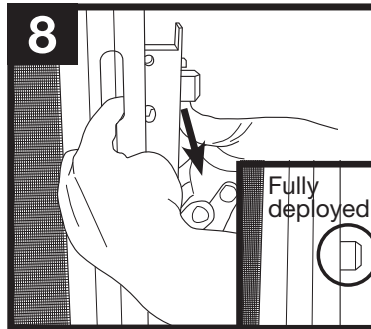
5 Remove the 2 mortise lock mounting screws in edge of door panel.



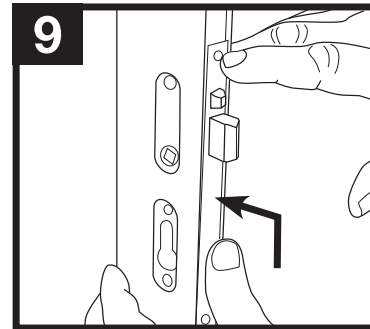
6 Grab main throw with one hand and pull mortise lock partway out of edge door.



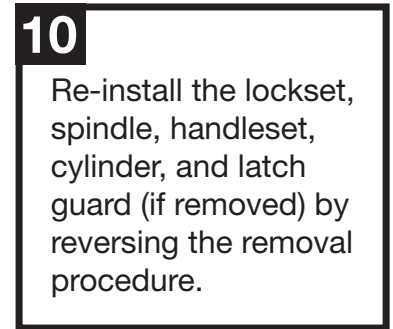
7 Place other hand BEHIND the black plastic linkage connector and keep pressure on it so that it stays connected to the mortise lock as you pull the mortise lock until it is almost out of the door.



8 With one hand still keeping pressure on the connector so it remains attached the lock, use the other hand to move the lockset down. Listen for it to click, the top and bottom lock throws will fully deployed.



9 Ensuring the linkage connector stays attached to the back of the lockset, raise and slide the lockset back into the door panel.



10 Re-install the lockset, spindle, handleset, cylinder, and latch guard (if removed) by reversing the removal procedure.