

Recessed Mount

1- PANEL ULTIMATE SECURITY PATIO SCREEN DOOR

PRODUCT MEASURING GUIDE

1 Getting Started

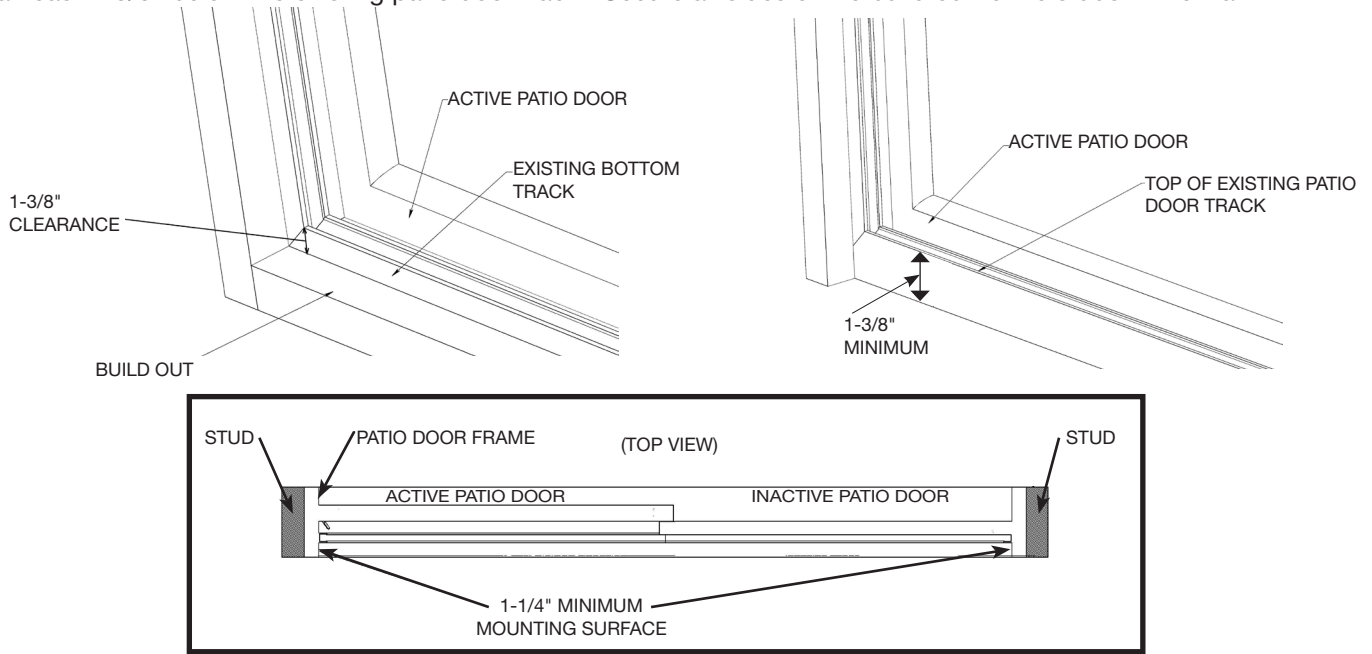
Inspect Your Entryway for Obstructions: Check for any obstructions above and around your entryway that may prevent the operation of your new security door, and/or its installation, such as: light fixtures, door bell, low overhang, door handle of your existing door, and trees, bushes, or hanging plants.

This guide contains procedures and instructions for proper measurement before installing a security screen door. If a circumstance comes up that is not covered in this guide, please contact us for help at:

Unique Home Designs
973 N. Colorado Street, Gilbert AZ. 85233
or
VIEW INSTALLATION VIDEOS
AND LATEST INFORMATION AT
helpmeinstallit.com

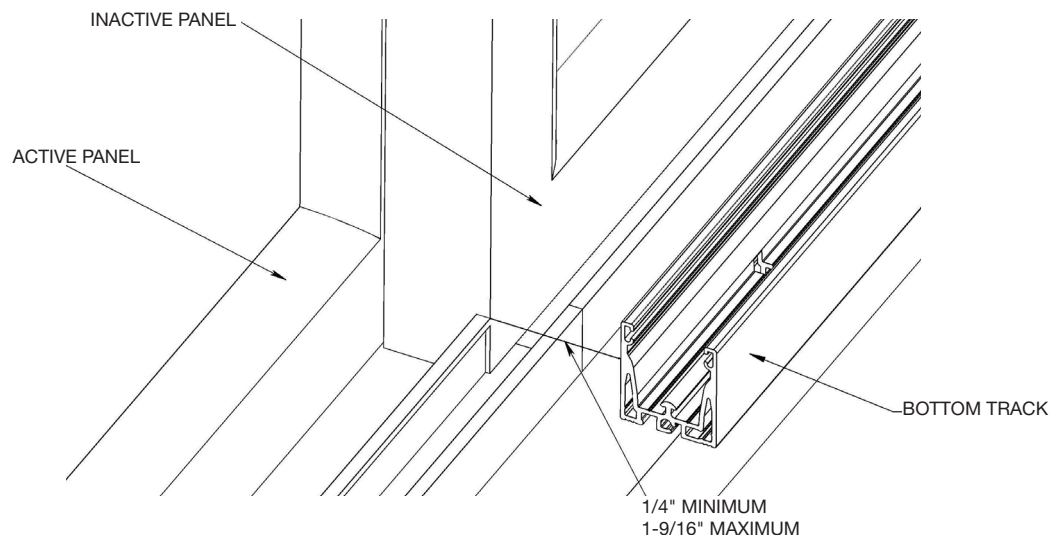
2 Identify or Create Required Mounting Surface

Your new security patio door will require a flat minimum mounting surface of 1-1/4" above, on both sides and below your entry door as shown. Additionally make sure there is a minimum of 1-3/8" clearance for the bottom track to avoid a tripping hazard. In some cases this may require a build out. If a build out is required, install bottom of build out first, making sure it is at least 1-3/8" below the existing patio door track. Secure all sides of the build out to the studs in the wall.

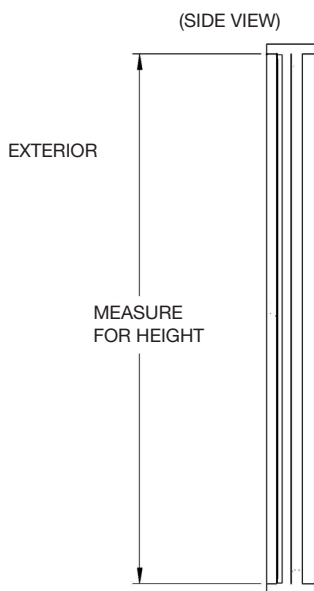


Note: Minimum and Maximum Distances

This patio screen door is equipped with an adjustable interlock channel. Please note that the maximum distance the track channel can be mounted from the inactive panel is 1-9/16" and a minimum of 1/4".



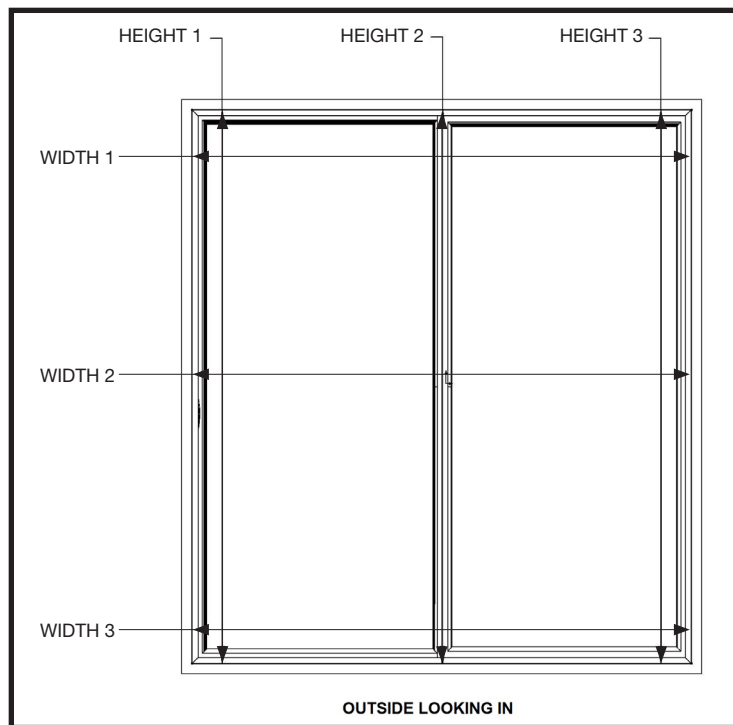
3 Measure for Rough Opening Height and Width



Measure Rough Opening Height

Measure from the top mounting surface to the bottom mounting surface for rough opening height.

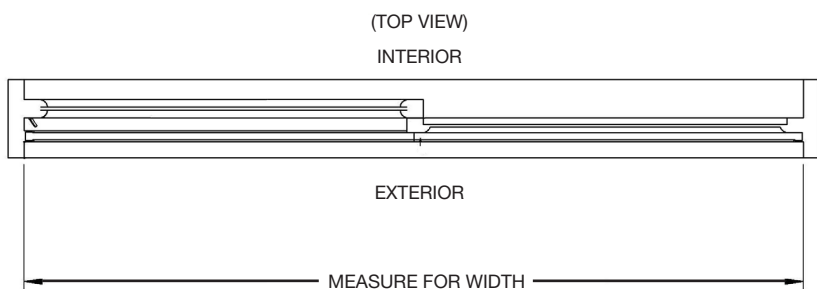
Measure in 3 locations as shown. Use shortest measurement and record below.



Measure Rough Opening Width

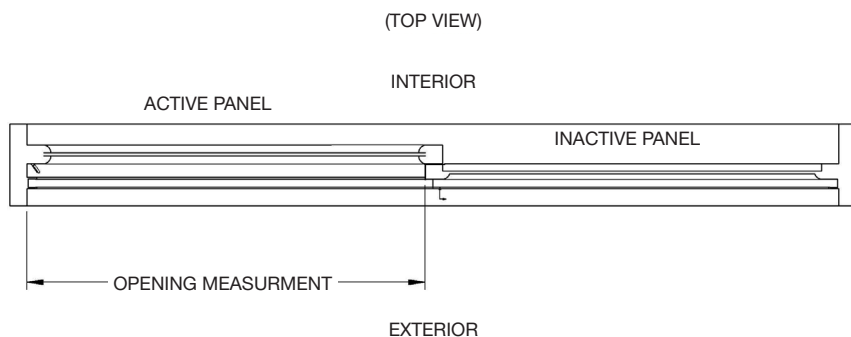
Measure from the inside edge of the mounting surface to the opposite inside edge of the mounting surface for rough opening width.

Measure in 3 locations, top, middle and bottom. Use shortest measurement and record below.



4 Determine Active Panel Opening Width

To determine the active screen door panel opening width, measure from the mounting surface on the active patio door panel side to the edge of the inactive patio door panel.



Note: Handle height is set at 50-5/8" on-center from bottom mounting surface.

Rough Opening Width
Rough Opening Height

Active Panel Opening Width

--