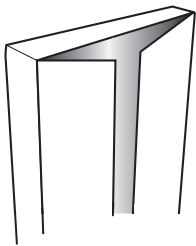


ULTIMATE SECURITY SCREEN DOOR

INSTALLATION INSTRUCTIONS

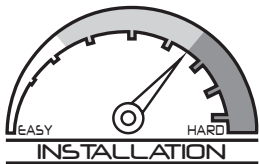


- Read completely through the installation instructions before proceeding with installation
- Installation requires two people
- Use appropriate protective equipment, including safety glasses
- Children should not be allowed in work area
- Failure to install door correctly could result in injury



RETAIN PACKAGING DURING INSTALLATION

Do NOT discard packaging materials until installation is complete



PROFESSIONAL INSTALLATION RECOMMENDED

Above average degree of difficulty. Requires installation experience.



helpmeinstallit.com

NEED HELP? REVIEW INSTALLATION VIDEO

Even professional installers will benefit from watching.



1-866-317-8867

support@uhdco.com

CONTACT US BEFORE RETURNING

Customer service and technical support are available.
Monday - Friday

RECOMMENDED TOOLS



Safety Glasses



Measuring Tape



Pencil

Box Cutter



Drill Bit

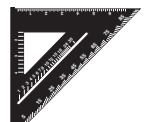
1/8"
minimum length: 2-3/4"



Drill



Needle Nose
Pliers



Square



T10 torx, Phillips-head &
Flat-blade screwdriver



Tin Snips



Level



Rubber Mallet



Wood Blocks (2"x4"x6")
Shims



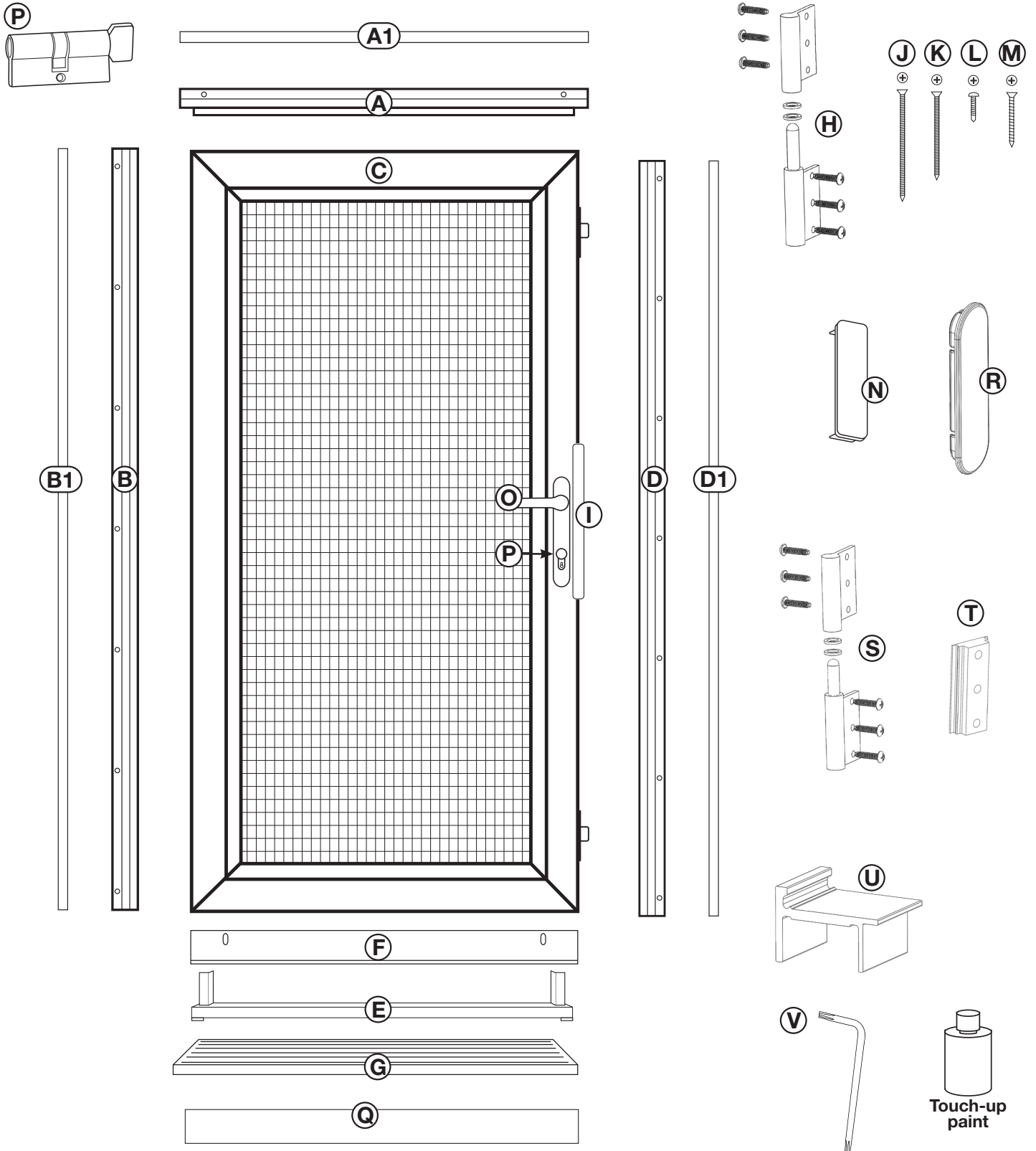
Paintable Caulk &
Caulk Gun

DOOR PARTS

- A) Top header jamb
- A1) Top header jamb snap cover
- B) Hinge-side jamb
- B1) Hinge-side snap cover
- C) Security screen door
- D) Lock-side jamb
- D1) Lock-side snap cover
- E) Bottom bar
- F) Bug sweep
- G) Threshold plate

HARDWARE & FASTENERS

- H) Long pin hinge (2)
- I) Latch guard
- J) #10x2-1/2" flat-head screws (12 pcs.)
- K) #6 x 2" temporary drywall screws (6 pcs)
- L) #6x5/8" pan head screws (painted - 3 pcs, black - 10 pcs)
- M) #8x1" painted flat-head screws (2)
- N) Latch plate plug
- O) Handles (2)
- P) Lock cylinder & flat-head bolt (1)
- Q) Threshold template
- R) Ultimate hinge jamb plug (3)
- S) Short pin hinge (2)
- T) Hinge shim (3)
- U) Ultimate door spacers (2)
- V) Latch torx wrench



1 Identify and prepare mounting surface

Inspect Your Entryway for Obstructions

Check for any obstructions above and around your entryway that may prevent the outward swing of your new security door, and/or its installation, such as:

- Light fixtures
- Low overhang
- Door bell
- Trees, bushes, or hanging plants

Determine Type and Readiness of Mounting Surface

Your security door will require a minimum mounting surface of 1" on the trim above, and on both sides of your entry door. Mounting screws must be secured to a stud in the wall. Review diagrams at right and determine which one most resembles the trim around the entry door to which you will mount your security door.

Measure Your Opening

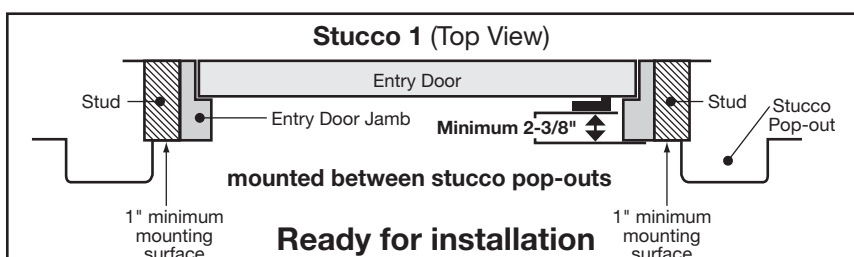
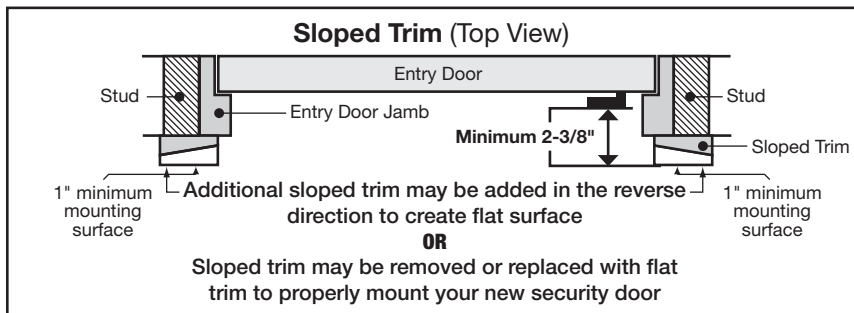
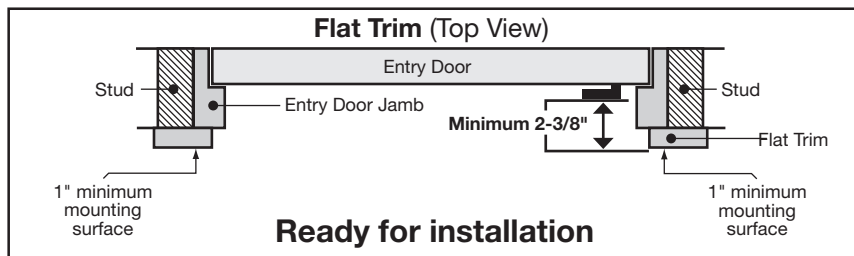
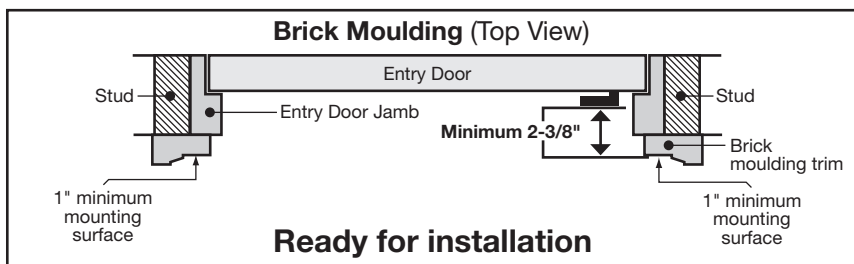
Measure between the inside edges of the left and right mounting surfaces for opening width. Measure between the bottom edge of the upper mounting surface and the existing threshold for opening height. Use the following chart and these measurements to be sure the security door will fit your opening.

Security Door Size	Fits Door Opening Sizes	
	Width (W)	Height (H)
32" x 80"	31 7/8" - 32 3/8"	79 3/4" - 81 3/4"
36" x 80"	35 7/8" - 36 3/8"	
36" x 96"	35 7/8" - 36 3/8"	95 3/4" - 97 3/4"

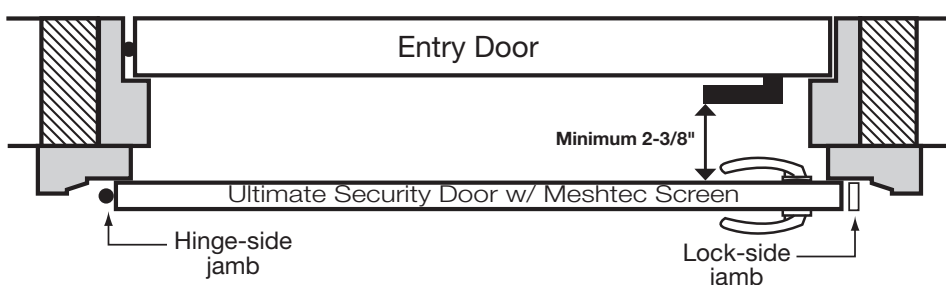
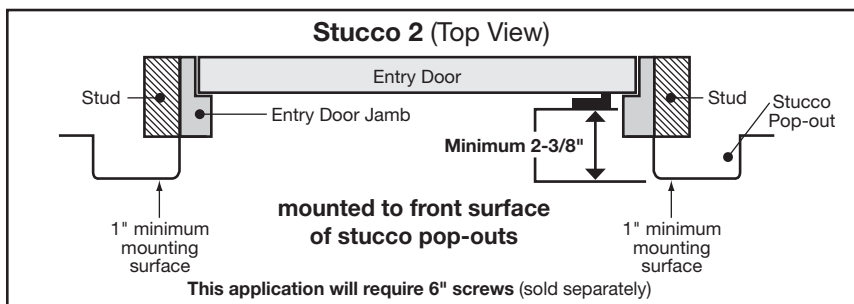
If the opening identified does not fall within the fit range, you can check to see if there is another mounting surface in your entryway that will work, build your mounting surface out using stop or similar trim, or remove and reconfigure your trim to fall within the fit range.

Check for Hardware Interference

Measure the depth from the corner of your mounting surface to your existing entry door hardware. If this measurement is 2-3/8" or greater there is no potential for hardware interference. If the measurement is less than 2-3/8", measure from the edge of the mounting surface on top of the door to the top and bottom edge of the part of your existing hardware that intrudes into the 2-3/8" clearance. If either of these two measurements falls between 39-1/4" and 43-1/4", the security door and existing door hardware will interfere with each other. You can either build your mounting surface out to create the clearance required or mount your security door with an opposite swing to your main entry door. If there is less than 2-3/8" clearance between the surface of the main entry door and the security door mounting surface, a build out is required.



CAUTION: Check closely for possible hardware interference!



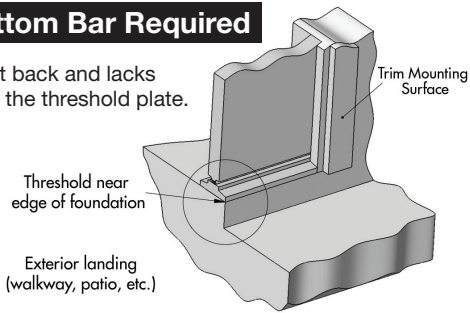
2 Determine your threshold configuration

Look at your existing entry door threshold and use the diagrams below to determine which threshold configuration best applies to your entryway. This will determine whether a bottom bar is or is not required for your security door.

Bottom Bar Required



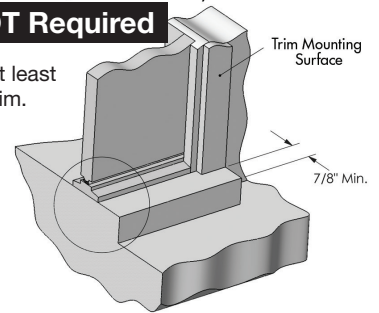
The concrete is set back and lacks space to mount to the threshold plate.



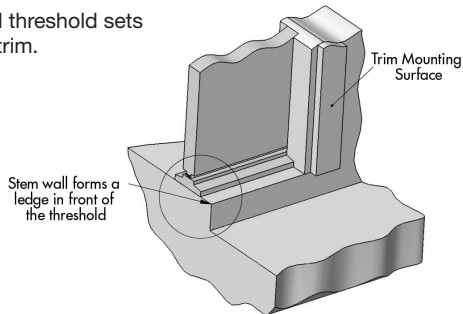
Bottom Bar NOT Required



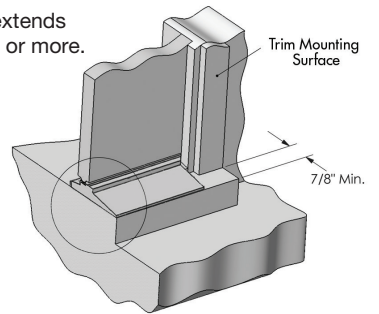
The concrete extends at least 7/8" further than your trim.



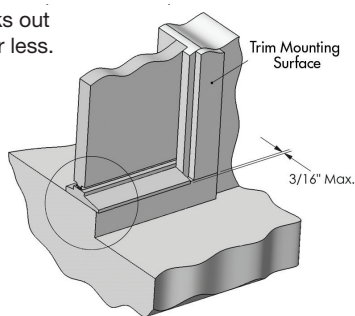
The concrete and threshold sets back behind the trim.



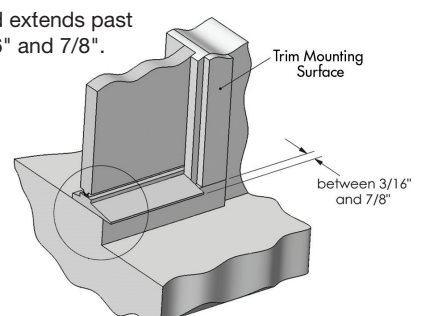
The existing threshold extends beyond the trim by 7/8" or more.



The existing threshold sticks out beyond the trim by 3/16" or less.

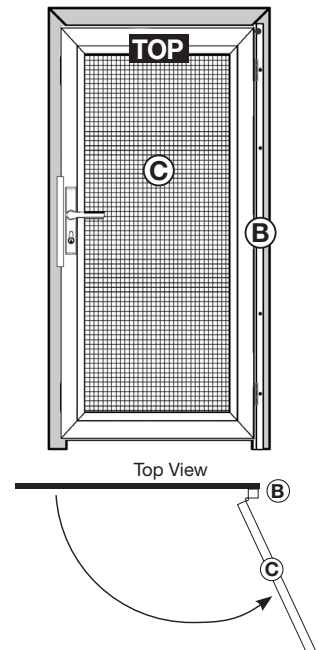
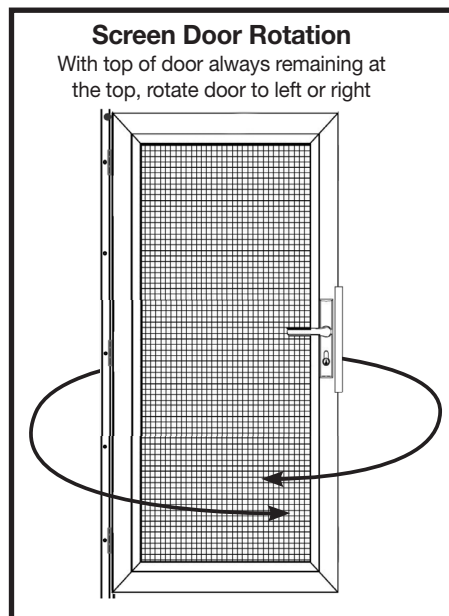
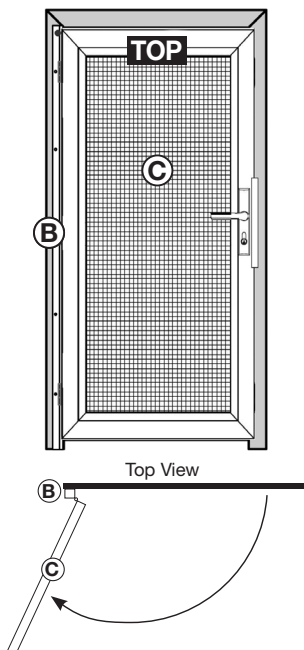


The existing threshold extends past the trim between 3/16" and 7/8".



3 Determine swing

Determine swing of door. Once determined, lay out the hinge jamb (B), lock side jamb (D) and header jamb (A) around the door panel (C) on the ground and mock up the hinges (H and S) in their positions. It is easy to mistakenly flip the door when installing, so be sure to mark the door once mocked up to ensure proper orientation.

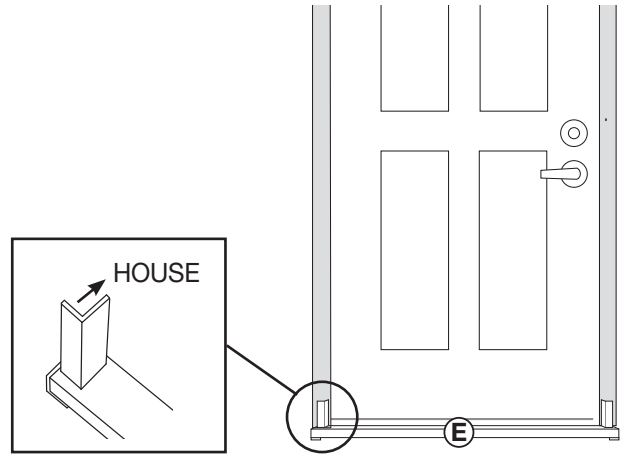


4 Install the bottom bar if applicable

If there is **NOT** a 2-3/4" space below both jambs it is **necessary to install the bottom bar assembly**. It is okay to move the jambs up within the doorway to ensure this space, as long as the top of the jambs do not go beyond the top-edge of your mounting surface.

The bottom bar (**E**) will need to be installed 1/8" to 1/4" lower than the existing doorway so that there is a slope to the threshold. This allows any moisture to drain away from the entry door.

Center the bottom bar in the door opening. Be sure the bracket opening is towards the house. Install the bottom bar using two black #6x5/8" pan head screws (**L**) as shown. Keep your drill on a low speed so the threads do not strip.



5 Install the hinge-side jamb

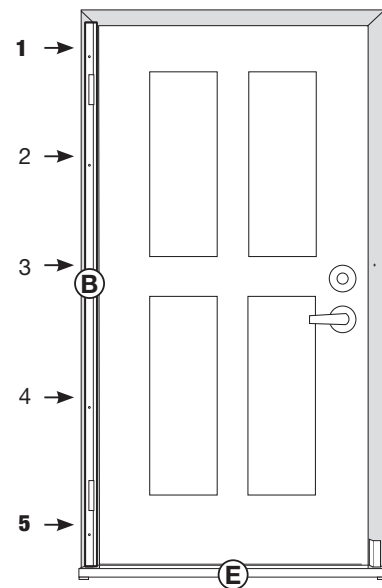
Note: As stated in Step 4, there should be a minimum of 2-3/4" space below the lock side jamb and below the entire width of the door to allow space for the bottom bar. If a 2-3/4" space exists across the entire doorway, you do **NOT** need to install a bottom bar.

Note: Hinge jamb is symmetrical top to bottom so you can flip based on handing.

Place the hinge-side jamb (**B**) into position over bottom bar (**E**), verify that it is plumb and level against the mounting surface, and install two #6x2" dry wall screws (**K**) supplied into holes **1 & 5** (see diagram), and temporarily mount the hinge-side jamb (**B**).

These screws are inserted to temporarily hold the jamb plumb. **Do NOT install permanent screws until the door is completely installed and working properly.**

To avoid interference with the primary entry door handle do NOT shift too far to one side.

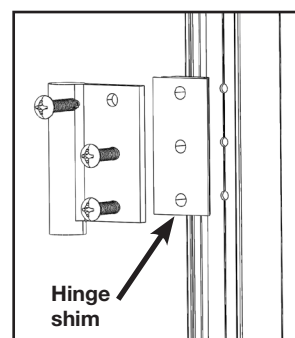
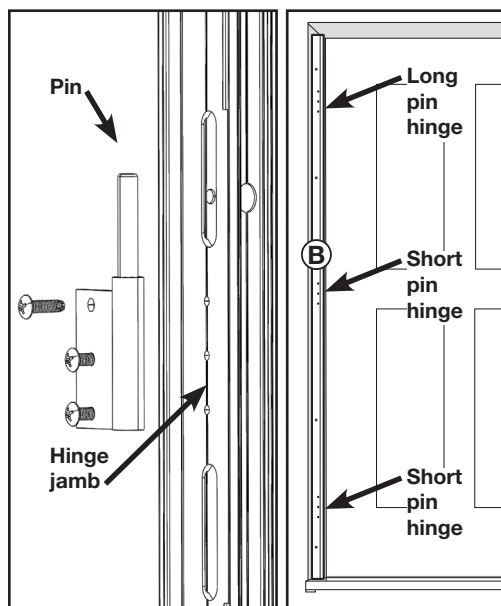


6 Attach hinges to door and hinge side door jamb

Separate the hinge leaves and keep washers included with each hinge, set aside for now.

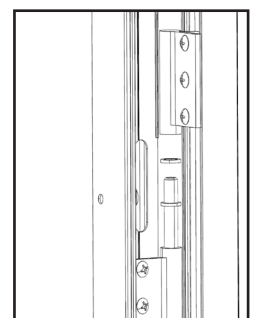
With pins facing up, attach pin side of the hinges to the hinge side Jamb (**B**), attach with three #8-32 x 3/4" screws.

Long pin hinge leaf (**H**) at the top and short pin hinge leaves (**S**) in the center and lower positions.



Place hinge shim (**T**) into door sash over mounting holes

Attach non-pinned hinge leaves to door, over the hinge shims (**T**) with the opening facing the bottom of the door, using three #8-32 x 3/4" screws each.



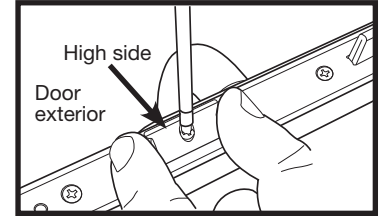
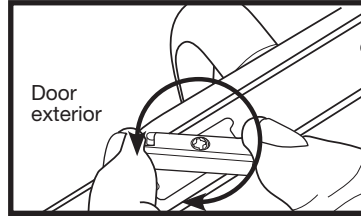
Place two washers back on the pinned side of each hinge

Hang door on the hinges.

7 Set center latch

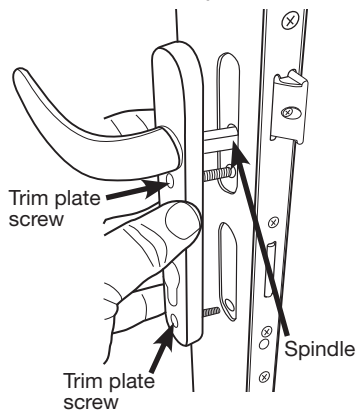
Remove tape securing the latch and **let the latch out slowly**, it will be loose enough to rotate. Rotate the latch (if necessary) so the high side of it is facing the exterior, depress the latch and tighten the screw with the provided latch torx wrench (**V**) or a T10 Torx driver.

Save the wrench for future use in case the latch requires tightening

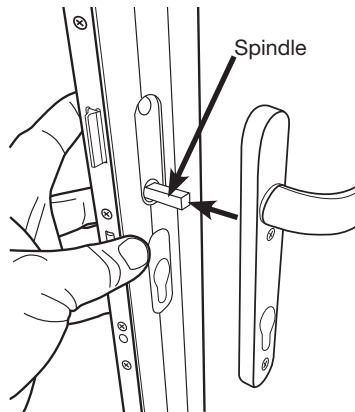


8 Install handle and lockset

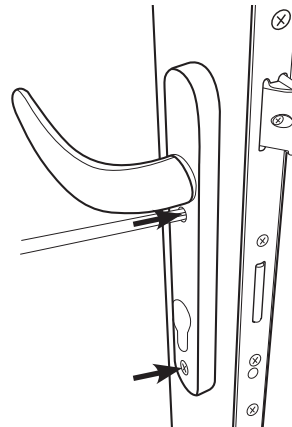
1) Start on the **interior** side of the door. With the handle (**O**) facing toward the screen, insert the spindle and mounting screws through the mortise gear in the door panel.



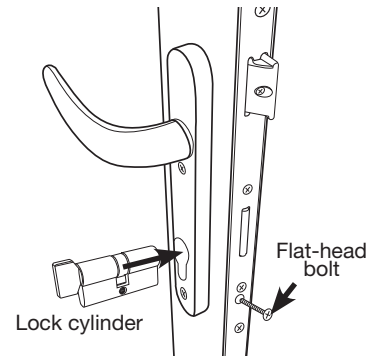
2) On the **exterior** of the door with the handle pointing toward the screen, align the openings on the inside of the handle with the spindle and mounting screws. Position the handle against door frame.



3) While holding both handle trim plates in place, tighten the mounting screws and then back off 2 turns. These screws will be tightened after the lock cylinder is installed.

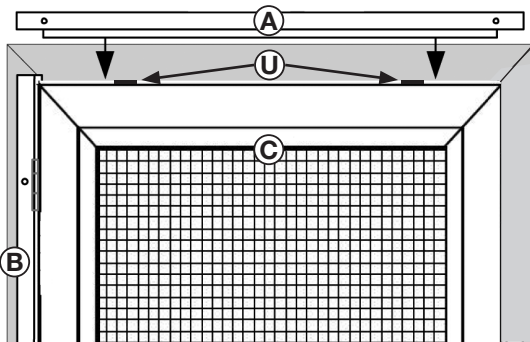


4) From the **inside** of the door, insert the lock cylinder (**P**) into the door through the trim plate. Using a Phillips-head screw driver, tighten the flat-head bolt until snug. Do **NOT** over-tighten. Tighten the two handle mounting screws until snug.



For duplication and rekeying purposes, the lock cylinder provided uses a Kwikset® keyway.
*Kwikset® is a registered trademark of Newfry LLC.

9 Install the top header jamb



Place door spacers (**U**) on the top of the door panel (see illustration).

With the header jamb end caps removed, align the jamb on the outside edge of header jamb (**A**). Install one #6x2" dry wall screw (**K**) supplied into the hole on the lock side (right side in this example diagram) to temporarily mount the top header jamb.

These screws are inserted to temporarily hold the jamb plumb.

Do NOT install permanent screws until the door is completely installed and working properly.

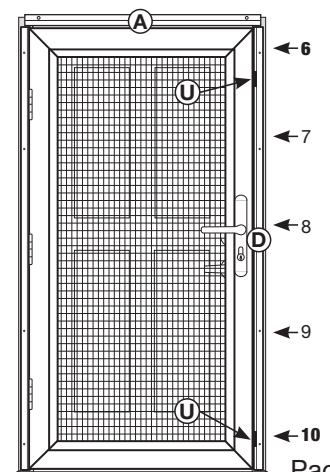
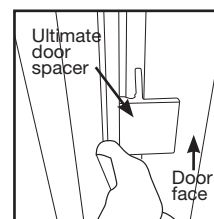
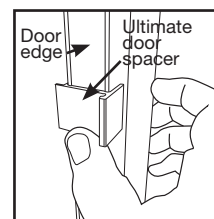
Once header jamb install is complete, remove door spacers (**U**).

10 Install the lock-side jamb

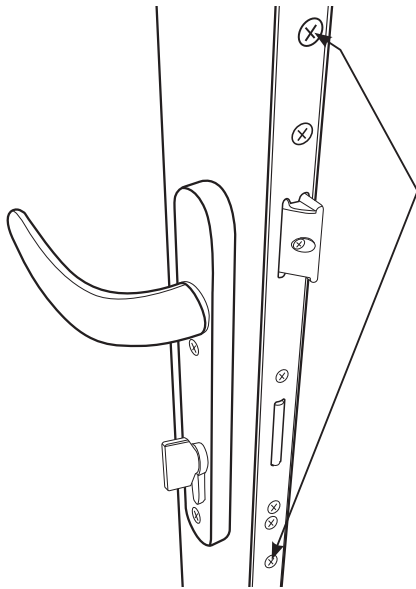
Place ultimate door spacers (**U**) on top and bottom of the locking edge of the door panel, move door panel to closed position with the spacers in place.

Next, place the **lock-side jamb (D)** into position over bottom bar (**E**), verify that it is plumb and level against the mounting surface, and install two #6x2" drywall screws (**K**) into holes **6 & 10** (see diagram).

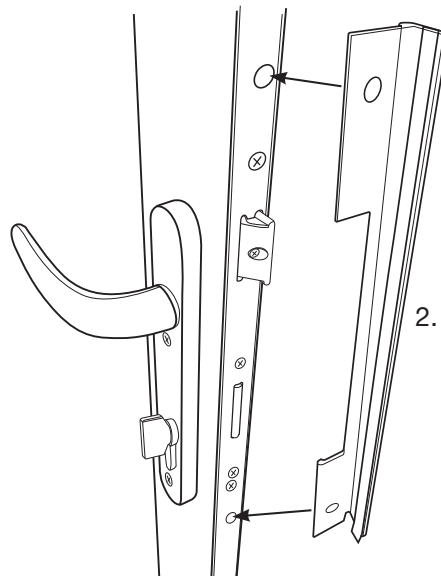
Once lock-side jamb install is complete, remove door spacers (**U**).



11 Install latch guard



1. Remove top and bottom screws from the one-piece gear.

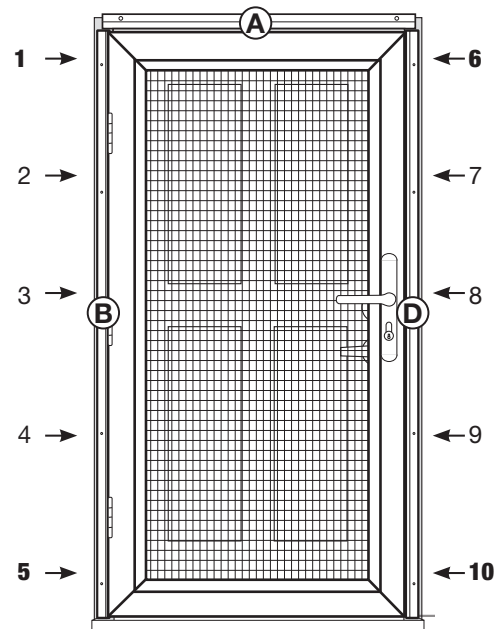


2. Attach the latch guard (I) provided in the hardware box using two #8x1" painted flat-head screws (M) in the pre-drilled holes.

12 Adjust and align door & install permanent screws

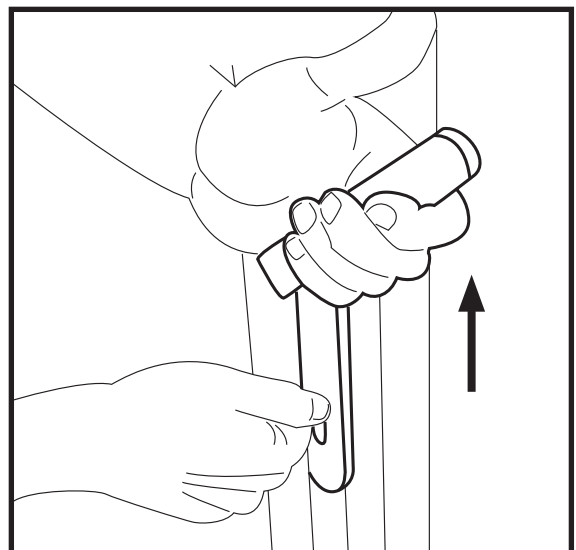
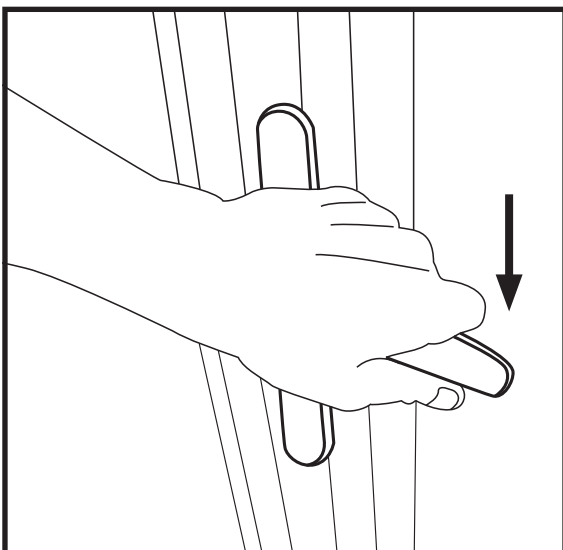
Once in position the door should align at the top and down the side evenly. If adjustment is needed loosen (do **NOT** remove) the top temporary screw in the side jambs (B/D) and the temporary screw in the top jamb (A). Use a rubber mallet to tap the right or left side jamb so door becomes aligned, then re-tighten temporary screws.

Pre-drill with 1/8" drill bit in remaining holes 2,3,4,7,8 & 9 of side jambs and remaining hole of the top jamb then install permanent screws #10x2-1/2" flat-head screws (J). Remove temporary screws one at a time from holes 1,5,6,10 & top and replace with permanent #10x2-1/2" flat-head screws (J).

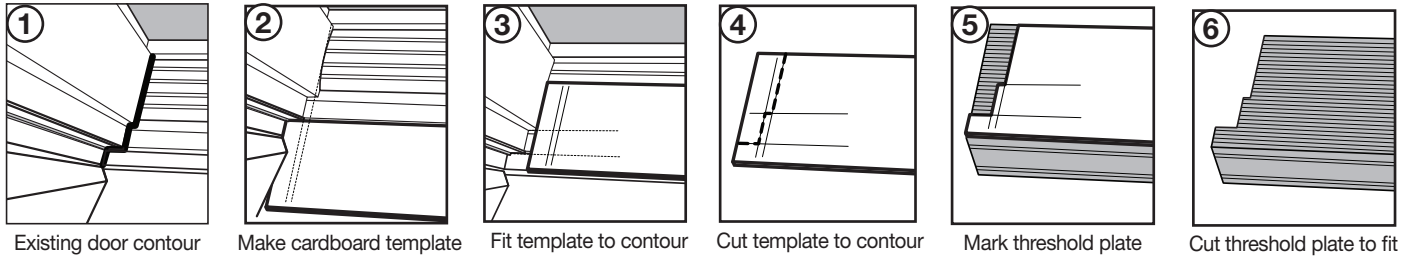


13 Test locking mechanism

Verify that the locking mechanism opens, closes and locks properly. To test, pull down on the door handle to open the door. Pull up on the door handle to engage the 3-point locking mechanism then turn the thumb-turn on the inside of the door clockwise or turn the key counterclockwise to lock.

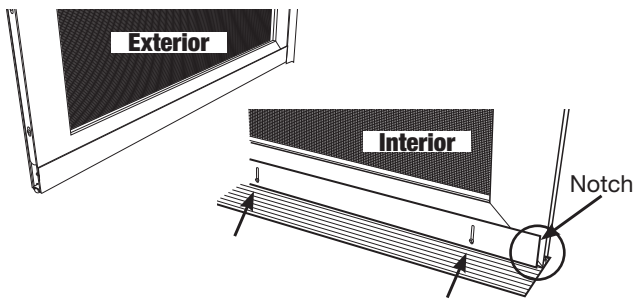


14 Install threshold plate



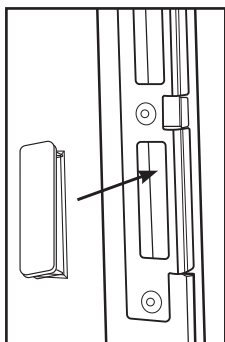
- ① The contour of door framing varies, making it necessary to cut the threshold plate (G) to fit. We recommend cutting a cardboard template (Q) to fit the opening first, to avoid cutting the threshold plate incorrectly.
- ② Lay provided cardboard template (Q) on top of the bottom bar and push into existing threshold as far as it will go. Using a straight edge, mark the template at the various widths of your existing moulding and trim at both ends.
- ③ Move template so that front edge is flush to the front edge of bottom bar (it is okay to bend template to allow to fit the shortest width between your moulding and trim). Mark at the various corners of your existing moulding and trim.
- ④ Using a box knife, cut template to shape of moulding and trim revealed by the markings. Test fit the template. (It should lay across the bottom bar, with the front edge flush to the front edge of the bottom bar, and fit in and around the corners of the existing moulding and trim.)
- ⑤ Once you have created a good template, use the template to mark the threshold plate.
- ⑥ Using tin snips/aviator snips, cut threshold plate (G) to match the shape of the template (Q). Position threshold plate to extend across the bottom bar and into the existing threshold. Attach threshold plate to existing threshold using #6x5/8" black pan head screws (L).

15 Install bug sweep

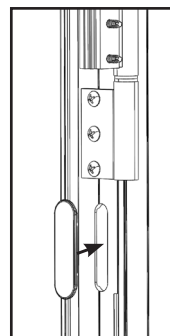


Open the door. With the notched side on the **interior** of the screen door slip the multi-blade bug sweep (F) onto the bottom of the door. Hold sweep in place and close the door. Allow the sweep to fall and sit resting on the threshold plate (G). **Note:** Be sure there is not a gap between the sweep and the threshold plate and that the sweep is centered on the bottom of the door. Using two #6x5/8" painted pan head screws (L), attach the sweep to the bottom of the door on the interior. Test that the door opens and closes freely. If not, loosen the screws and make necessary adjustments. Re-tighten screws and test again. Repeat until successful.

16 Install latch plate plug and ultimate hinge jamb plugs



Latch Plate Plug
Install latch plug (N) in unused bottom slot.



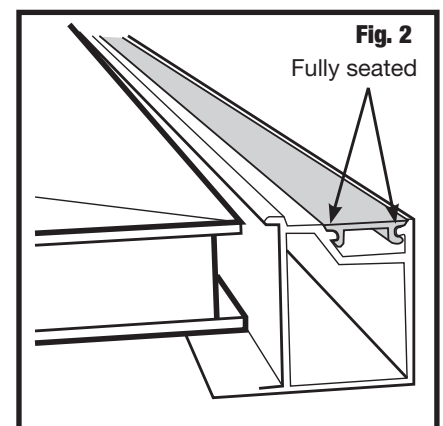
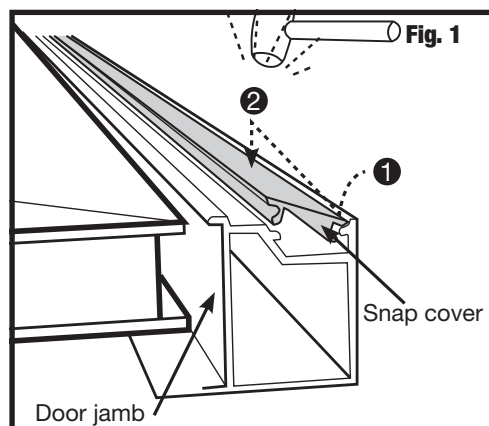
Ultimate Hinge Jamb Plugs
Install hinge jamb plugs (R) into the lower slots in the hinge jamb (B) at each Hinge.

17 Install the snap covers

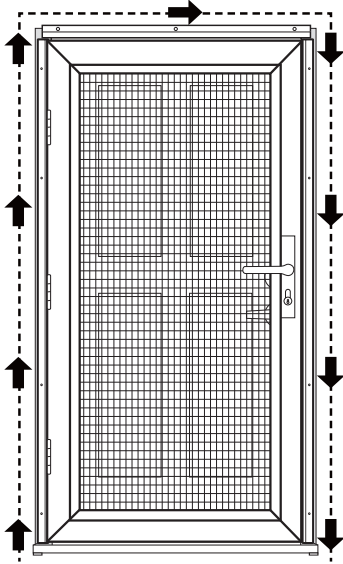
Place the snap cover (A1) in the top-header jamb (Fig. 1, step 1). Using a rubber mallet, hit on the side of snap cover seen in (Fig. 2) to securely snap cover into place. Once snap cover is secured, hold a wood block over the length of the snap cover and hit with mallet to smooth any irregularities in the snap cover surface.

Repeat process for the hinge-side (B1) and lock-side (D1) snap covers.

Reinstall end caps in Header Jamb (A)



Final touch-up suggestions



- ① **Caulk (not included)**
Caulk around the outside of the security door jamb frame, using paintable caulk, and paint to the desired color.

- ② **White Grease Lubricant (not included)**
Use white grease to lubricate the hinges of your new security door.

Maintenance & Care Instructions

Over time, airborne dust, dirt, and impurities can accumulate, which will cause visual defects to the security door, screen, hinged screen door, patio sliding screen door, window guards, window security screen. If not regularly and properly cleaned, it can lead to surface damage, staining, and corrosion. Your cleaning schedule depends on your environment:

ENVIRONMENT	DESCRIPTION	CLEANING SCHEDULE
Mild	Inland, rural, and away from urban activity	every 6 months
Moderate	Urban/suburban, inland	every 3 months
Extreme	Urban/suburban, coastal (within 25 miles)	every 2-4 weeks

Thoroughly wash the UHD/Titan frame and screen. Use a soft cloth, mild soap, and water. Do not use strong solvent or abrasive based cleaners. Take care to avoid exposing handles, hinges, and lock(s) to excessive amounts of water. After cleaning, use a dry, soft cloth to remove any excess water from these components. Also dry the screen and frame attachment area fully. Avoid using any sharp objects or abrasive materials on the frame or screen. Finally, use white grease to lubricate the hinges at each cleaning. Failure to properly maintain your UHD/Titan product could void the warranty.

For complete warranty details, visit <https://helpmeinstallit.com/warranty-statement> or simply scan the QR code below



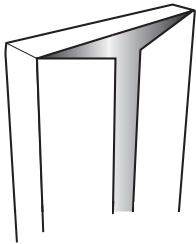
Register your product at <https://uniquehd.com/registration/>

PUERTA CON MALLA DE SEGURIDAD ÚLTIMA

Instrucciones de instalación

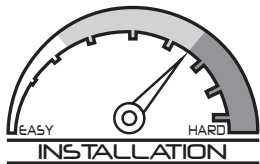


- Lee todas las instrucciones de instalación del kit antes de la instalación
- La instalación requiere de dos personas
- Usa el equipo de protección apropiado, incluyendo gafas de seguridad
- Mantén los niños alejados del área de trabajo
- Instalar incorrectamente la puerta puede causar lesiones



CONSERVA EL EMPAQUE DURANTE LA INSTALACIÓN

NO deseches los materiales del empaque hasta que la instalación haya terminado.



SE RECOMIENDA UNA INSTALACIÓN PROFESIONAL

Grado de dificultad por encima del promedio. Requiere experiencia en la instalación.



helpmeinstallit.com

¿NECESITAS AYUDA?

CONSULTA EL VIDEO DE INSTALACIÓN

Incluso los instaladores profesionales se benefician al verlo.



1-866-317-8867

support@uhdco.com

CONTÁCTANOS ANTES DE DEVOLVERLO

Servicio al cliente y soporte técnico disponibles.

Lunes - Viernes

HERRAMIENTAS RECOMENDADAS



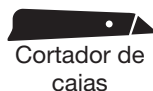
Gafas de seguridad



Cinta de medir



Lápiz



Cortador de cajas



Broca
1/8"
tamaño mínimo: 2-3/4"



Taladro



Alicates de punta de aguja



Plaza



Destornillador plano y de cabeza Phillips



Tijeras de hojalatero



Nivel



Mazo de goma



Bloques de madera
(5.1 cm x 10.2 cm x 15.2 cm)
Cuñas



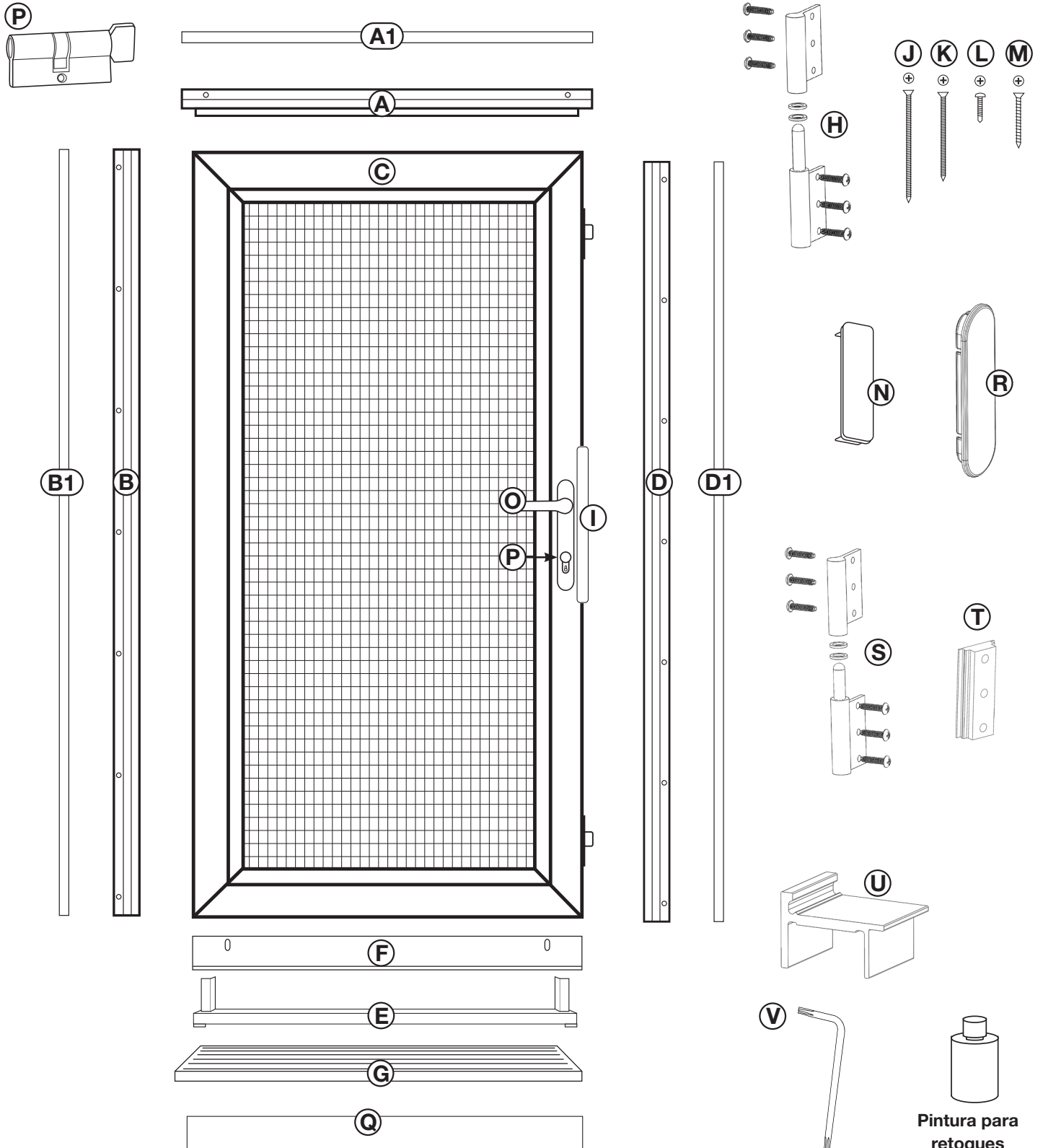
Pistola para pasta selladora y pasta selladora que se puede pintar

PIEZAS DE LA PUERTA

- A) Jamba del travesaño superior
- A1) Cubierta a presión de la jamba del travesaño superior
- B) Jamba del lado de las bisagras
- B1) Cubiertas a presión del lado de las bisagras
- C) Puerta con malla de seguridad
- D) Jamba del lado de la cerradura
- D1) Cubierta a presión del lado de la cerradura
- E) Barra inferior
- F) Guardapolvo inferior contra insectos
- G) Umbral

HERRAJES Y SUJETADORES:

- H) Bisagra de pasador largo (2)
- I) Protector del pestillo
- J) Tornillos de cabeza plana núm. 10x2-1/2" (12 piezas)
- K) Tornillos temporales para drywall núm. 6 x2" (6 piezas)
- L) Tornillos de cabeza plana biselada núm. 6x5/8" (pintados -3 piezas, negros - 10 piezas)
- M) Tornillo de cabeza plana pintado núm. 8x1" (2)
- N) Tapón de placa para pestillo
- O) Manijas (2)
- P) Cilindro de cerradura y perno de cabeza plana (1)
- Q) Plantilla del umbral
- R) Tapón de jamba de bisagra Ultimate (3)
- S) Bisagra de pasador corto (2)
- T) Cuña para bisagra (3)
- U) Espaciadores de puerta Ultimate (2)
- V) Llave Torx para pestillo



Pintura para retoques

1 Determina y prepara la superficie de montaje

Revisa si hay obstáculos en la entrada

Comprueba si arriba o alrededor de la entrada hay obstáculos que puedan impedir la instalación de la nueva puerta de seguridad o su abertura hacia afuera; obstáculos como:

- Lámparas
- Salientes bajos
- Timbre de puerta
- Árboles, arbustos o plantas colgantes

Determina el tipo y el estado de la superficie de montaje

Tu puerta de seguridad necesita una superficie de montaje de al menos 2.5 cm en ambos lados de una esquina del contramarco o jamba superior y en los dos lados de la puerta de entrada. Consulta los diagramas a la derecha y determina cuál se parece más al contramarco de la puerta de entrada donde montarás tu puerta de seguridad.

Mide la abertura

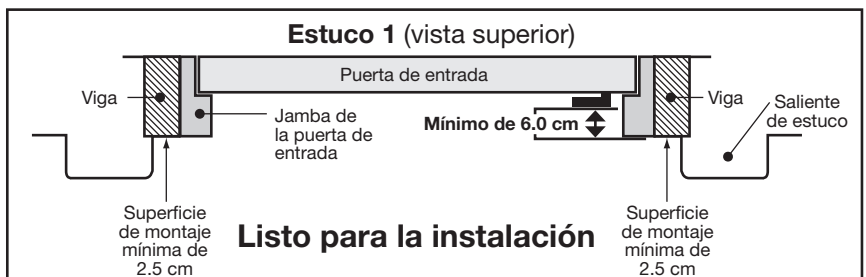
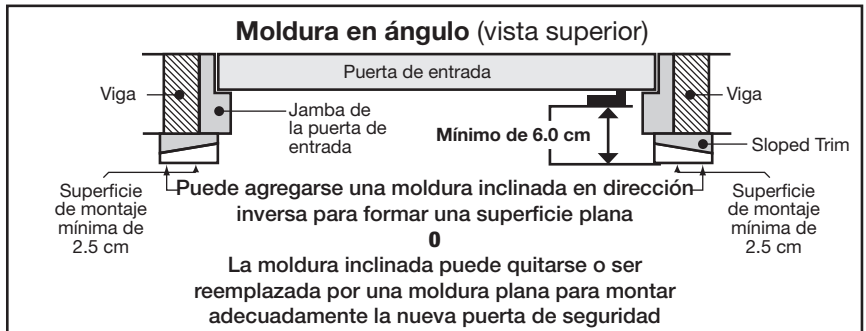
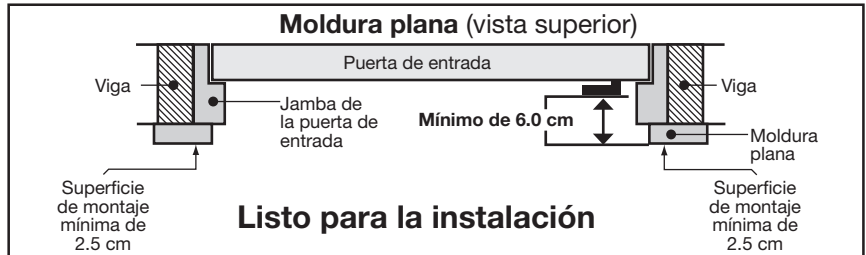
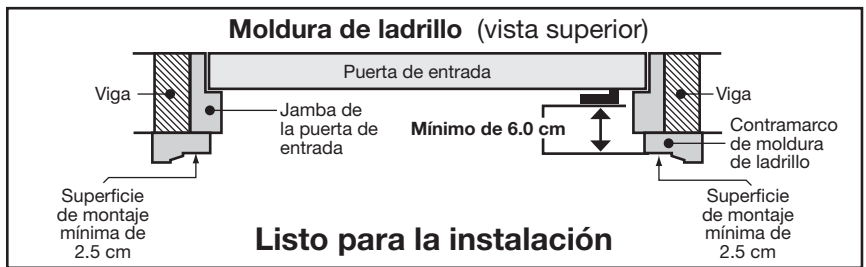
Mide el ancho de abertura entre los bordes de los lados derecho e izquierdo de la superficie de montaje. Mide el alto de abertura entre el borde de la superficie de montaje superior y el umbral existente. Usa la tabla siguiente y esas medidas para garantizar que la puerta de seguridad se ajustará a la abertura.

Tamaño de la puerta de seguridad	Se ajusta a tamaños de aberturas de puertas	
	Ancho (AN)	Altura (AL)
81.28 cm x 203.2 cm	80.96 cm - 82.23 cm	202.56 cm - 205.74 cm
91.44 cm x 203.2 cm	91.12 cm - 92.39 cm	
91.44 cm x 243.84 cm	91.12 cm - 92.39 cm	243.2 cm - 248.28 cm

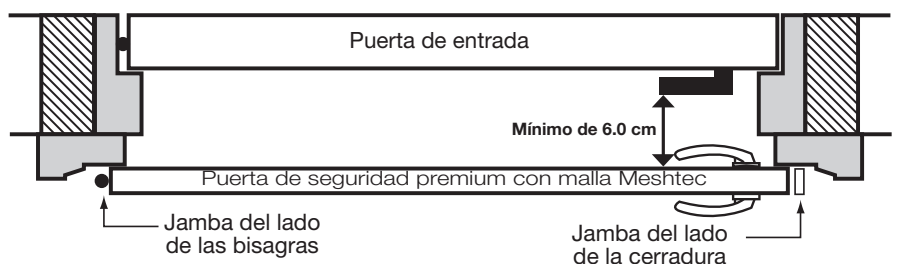
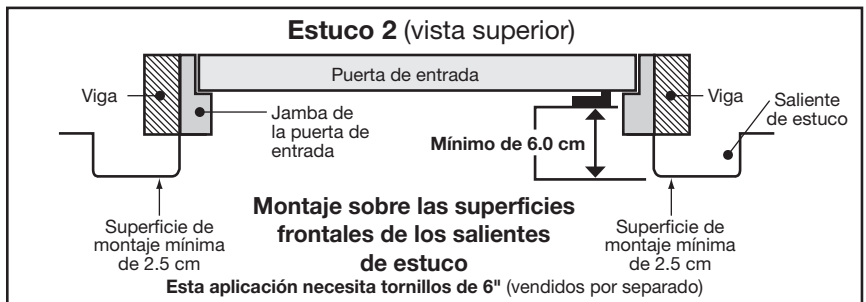
If the opening identified does not fall within the fit range, you can check to see if there is another mounting surface in your entryway that will work, build your mounting surface out using stop or similar trim, or remove and reconfigure your trim to fall within the fit range.

Verifica que no haya interferencia de herrajes

Mide la profundidad desde la esquina de tu superficie de montaje hasta los herrajes de la puerta de entrada existente. Si la medida es de 6.0 cm o mayor, no habrá interferencia de herrajes. Si la medida es menor que 6.0 cm, mide desde el borde de la superficie de montaje en la parte superior de la puerta hasta el borde superior e inferior de la parte de los herrajes existentes que penetra en el espacio de 6.0 cm. Si alguna de estas dos medidas está entre 997 cm y 1.1 m, habrá interferencia entre la puerta de seguridad y los herrajes existentes. Puedes expandir la superficie de montaje para crear el espacio necesario o puedes montar la puerta de seguridad de forma tal que abra hacia el lado contrario a la puerta de entrada principal. Si hay menos de 6 cm entre la superficie de la puerta de entrada principal y la superficie de montaje de la puerta de seguridad, se necesitará expansión.



PRECAUCIÓN: ¡Verifica bien que no haya interferencia de los herrajes!



2) Determina la configuración de tu umbral

Observa el umbral de tu puerta de entrada actual y usa los diagramas más abajo para determinar cuál es el umbral adecuado para tu entrada. Esto determinará si necesitarás o no instalar una barra inferior en tu puerta de seguridad.

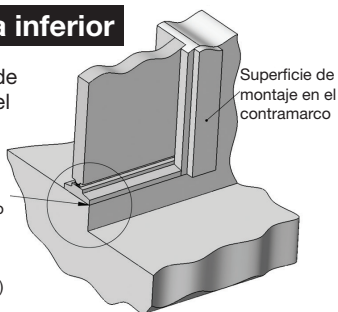
Requiere la barra inferior



No hay espacio en la superficie de concreto para montar la placa del umbral.

El umbral está cerca del borde del cemento

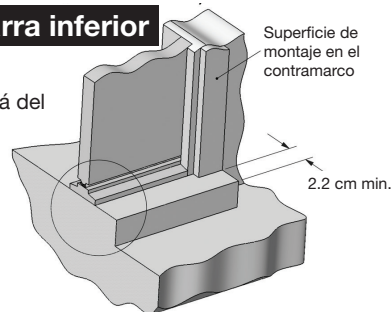
Descanso exterior (entrada, patio, etc.)



NO requiere la barra inferior

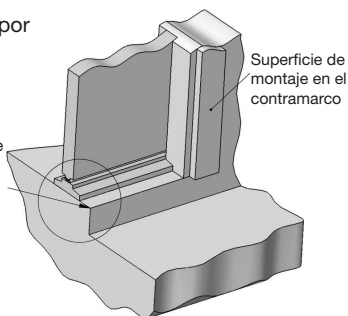


El concreto sobresale al menos 22.2 mm más allá del contramarco.

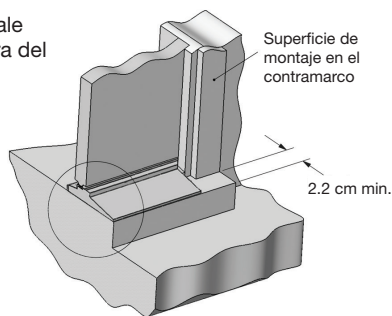


El concreto y el umbral están por detrás del contramarco.

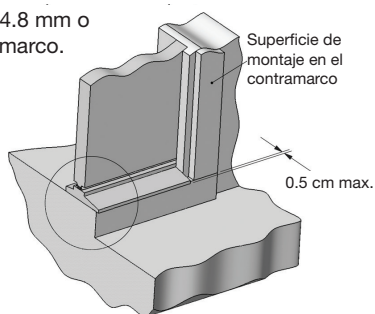
El cemento forma un saliente en frente del umbral pero no sobresale más allá de la superficie de montaje del contramarco



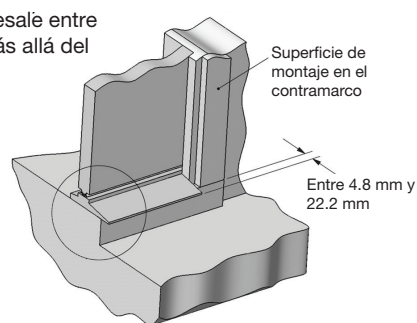
El umbral actual sobresale 22.2 mm o más por fuera del contramarco.



El umbral actual sobresale 4.8 mm o menos, más allá del contramarco.

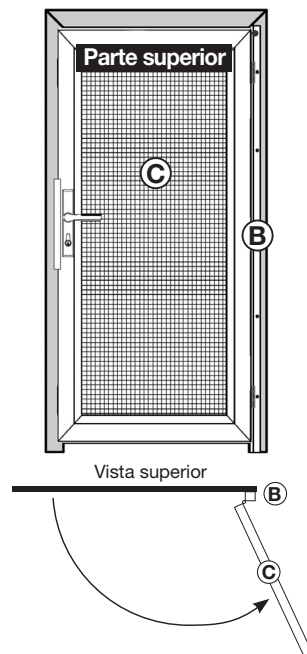
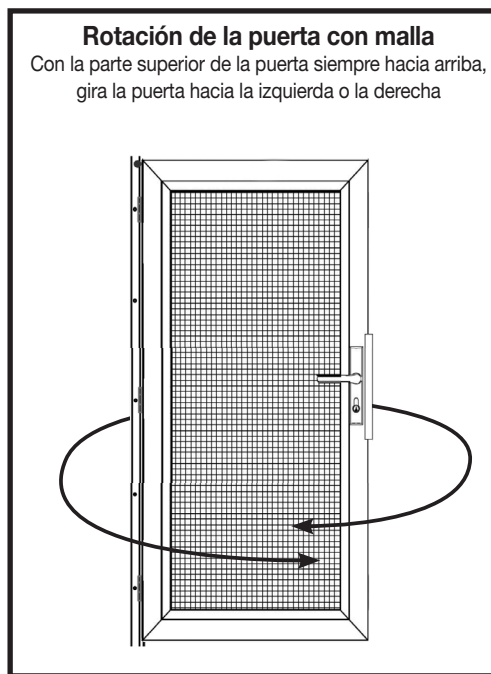
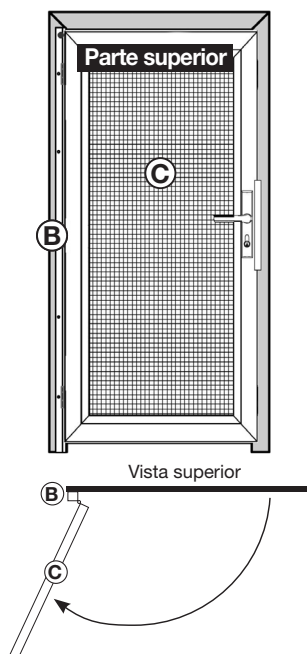


El umbral actual sobresale entre 4.8 mm y 22.2 mm más allá del contramarco.



3) Determina la dirección de apertura

Determina la dirección de apertura de la puerta. Una vez determinada, coloca la jamba de las bisagras (B), la jamba del lado del cerrojo (D) y la jamba del travesaño (A) alrededor del panel de la puerta (C) sobre el suelo y simula colocar las bisagras (H y S) en sus posiciones. Es fácil voltear la puerta por error al instalarla, así que asegúrate de marcar la puerta una vez que realices la simulación de colocación para garantizar la orientación correcta.

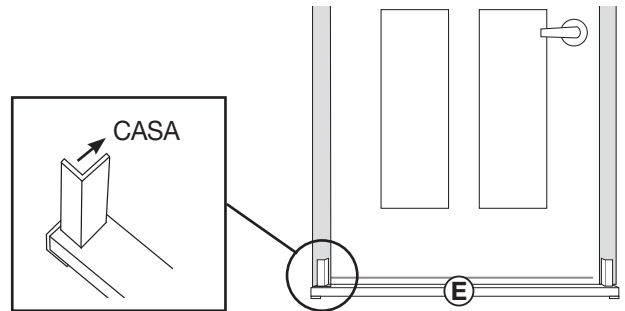


4 Instala la barra inferior si es necesario

Si **NO** cuentas con un espacio de 7 cm debajo de ambas jambas, debes instalar el ensamblaje de la barra inferior. Se pueden mover las jambas hacia arriba dentro de la entrada para dejar este espacio, siempre que la parte superior de las jambas no pase del borde superior de la superficie de montaje.

La barra inferior (**E**) debe instalarse de 3.2 a 6.4 mm por debajo de la entrada actual para dejar una inclinación con respecto al umbral. Esto permite drenar la humedad lejos de la puerta de entrada.

Centra la barra inferior en la abertura de la puerta. Asegúrate de que la abertura del soporte esté hacia la casa. Instala la barra inferior con dos tornillos negros de cabeza plana núm. 6 de 5/8" (**L**) tal como se muestra. Usa el taladro a un velocidad baja para no raspar la barra con las roscas.



5 Instala la jamba del lado de las bisagras

Nota: Como se indicó en el paso 4, debe quedar un espacio mínimo de 7 cm por debajo de la jamba del lado del cerrojo y en todo el ancho de la puerta para la barra inferior. Si el espacio a lo largo de toda la puerta es de 7 cm, **NO** necesitas instalar una barra inferior.

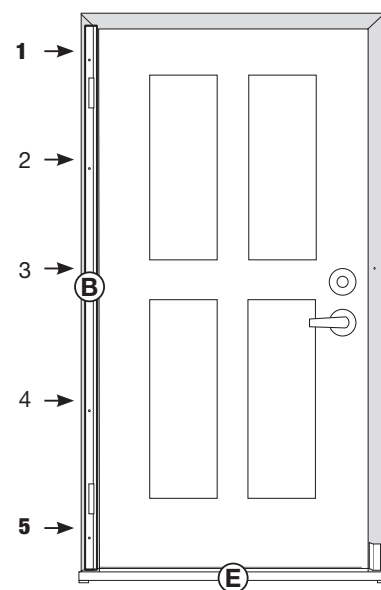
Nota: La jamba de la bisagra es simétrica de arriba a abajo, por lo que puedes girarla según la mano.

Coloca la **jamba del lado de las bisagras (B)** en su sitio sobre la barra inferior (**E**), comprueba si está a plomo y nivelada contra la superficie de montaje e instala dos tornillos para drywall núm. 6 de 2" (**K**) incluidos en los orificios **1 y 5** (ver el diagrama) y monta provisionalmente la jamba del lado de las bisagras (**B**).

Estos tornillos se usan para mantener temporalmente la jamba a plomo.

NO instales los tornillos permanentes hasta que la puerta esté bien colocada y funcione adecuadamente.

Para evitar cualquier interferencia con la manija de la puerta de entrada primaria, NO la muevas demasiado hacia un lado.

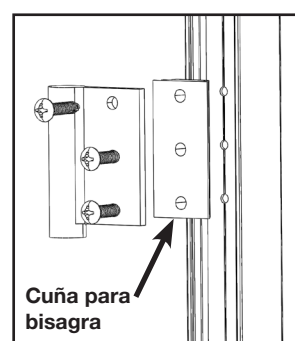
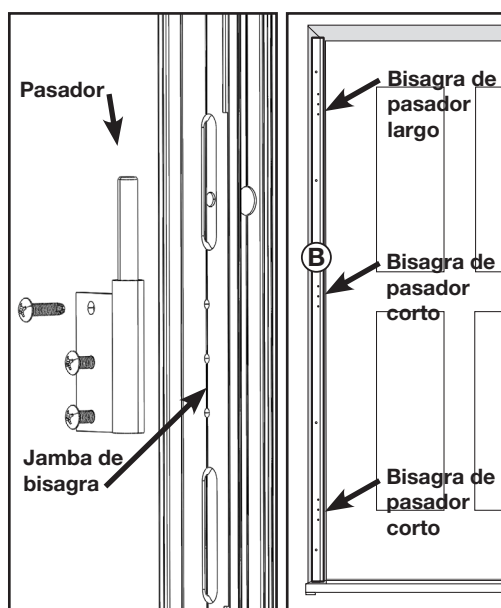


6 Fija las bisagras a la puerta y a la jamba de la puerta del lado de la bisagra

Separa las hojas de las bisagras y mantén las arandelas incluidas con cada bisagra, déjalas a un lado por el momento.

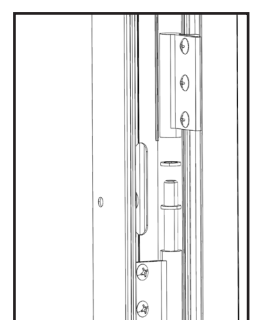
Con los pasadores hacia arriba, fija el lado del pasador de las bisagras a la jamba de lado de las bisagras (**B**) y fíjalas con tres tornillos #8-32 x 3/4".

Hoja de bisagra de pasador largo (**H**) en la parte superior y hojas de pasador corto (**S**) en las posiciones central e inferior.



Coloca la cuña de bisagra (**T**) en el marco de la puerta sobre los orificios de montaje

Fija las hojas de la bisagra sin pasadores a la puerta, sobre las cuñas de la bisagra (**T**) con la abertura mirando hacia la parte inferior de la puerta, usando tres tornillos #8-32 x 3/4" cada uno.

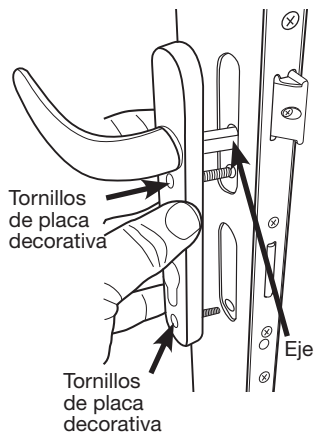


Coloca dos arandelas de nuevo en el lado con pasadores de cada bisagra

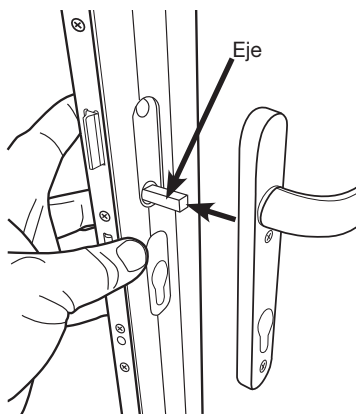
Cuelga la puerta sobre las bisagras.

7 Instala la manija y la cerradura

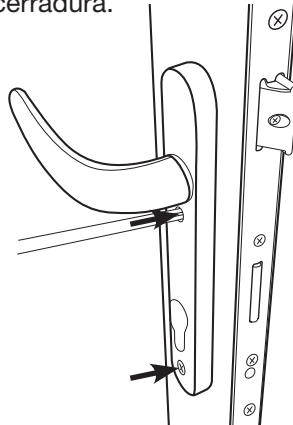
1) Comienza desde la parte **interior** de la puerta. Con la manija (O) de frente a la malla, inserta el eje y los tornillos de montaje a través del mecanismo de mortaja en el panel de la puerta.



2) En el **exterior** de la puerta con la manija hacia la malla, alinea las aberturas de la parte interior de la manija con el eje y los tornillos de montaje. Ubica la manija contra el marco de la puerta.



3) Mientras mantienes en su lugar ambas placas decorativas de la manija, aprieta los tornillos de montaje y luego afloja 2 vueltas. Estos tornillos te apretarán después de que se instale el cilindro de la cerradura.



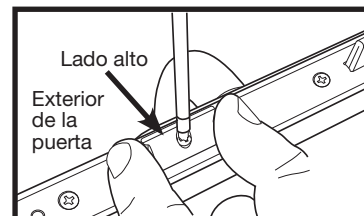
4) Desde la **parte interior** de la puerta, inserta el cilindro de la cerradura (P) en la puerta a través de la placa decorativa. Con un destornillador de cabeza Phillips, aprieta el tornillo de retención hasta que quede ajustado. **NO** aprietes demasiado. Aprieta los dos tornillos de montaje de la manija hasta que estén ajustados.



Para duplicar llaves o cambiar la combinación, el cilindro de cerradura incluido usa una entrada Kwikset®. Kwikset® es una marca comercial registrada de Newfry LLC.

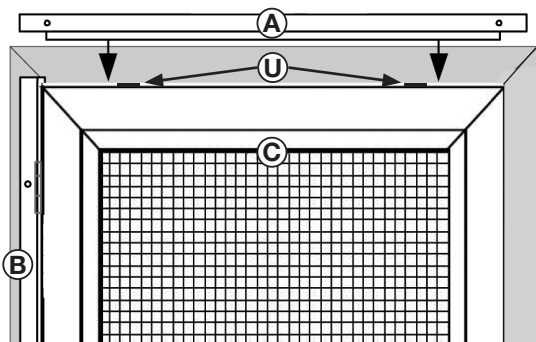
8 Establecer el pestillo central

Retire la cinta que sujeta el pestillo y suéltelo lentamente; quedará lo suficientemente suelto como para poder girarlo. Gire el pestillo (si es necesario) de modo que su lado más alto quede orientado hacia el exterior, presiónelo y apriete el tornillo con la llave Torx para el pestillo suministrada (U) o con un destornillador Torx T10.



Guarde la llave para uso futuro, por si fuera necesario volver a apretar el pestillo.

9 Instala la jamba del travesaño superior



Coloca los espaciadores de puerta (U) en la parte superior del panel de la puerta (ver ilustración).

Con las tapas de los extremos de la jamba del cabezal retiradas, alinea la jamba con el borde exterior de la jamba del cabezal (A). Coloca un tornillo para drywall #6x2" (K) incluido en el orificio del lado del cerrojo (lado derecho en este diagrama de ejemplo) y monta temporalmente la jamba del travesaño superior.

Estos tornillos se usan para mantener temporalmente la jamba a plomo. **NO instales los tornillos permanentes hasta que la puerta esté bien colocada y funcione adecuadamente.**

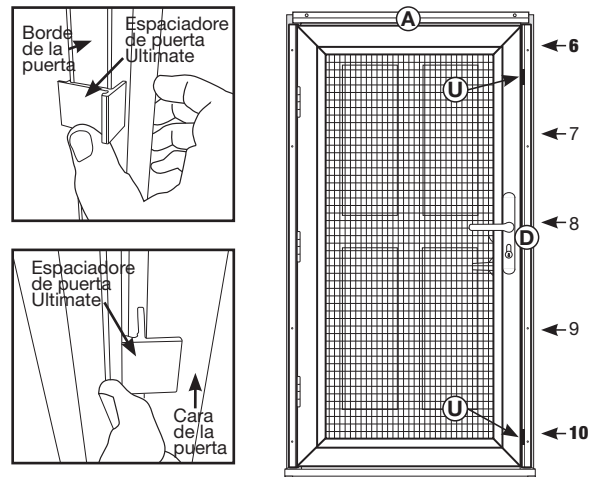
Una vez completada la instalación de la jamba del travesaño, retira los espaciadores de puerta (U).

10 Instala la jamba del lado de la cerradura

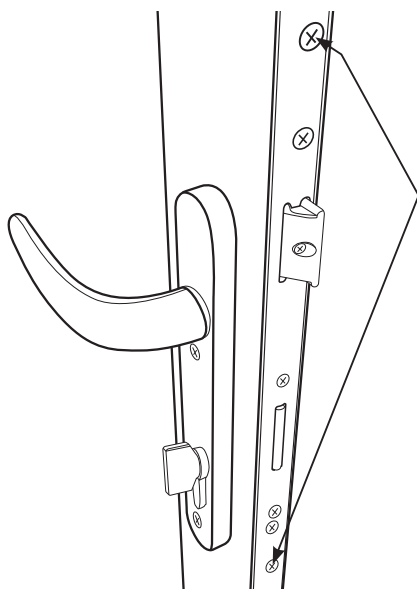
Coloca los espaciadores de puerta Ultimate (**U**) en la parte superior e inferior del borde de cierre del panel de la puerta, mueve el panel de la puerta a la posición cerrada con los espaciadores en su lugar.

Coloca la jamba del lado del cerrojo (**D**) en su posición sobre la barra inferior (**E**), verifica si está a plomo de forma vertical y nivelada contra la superficie de montaje, e instala dos tornillos para drywall #6x2" (**K**) incluidos en los orificios 6 y 10 (ver diagrama)

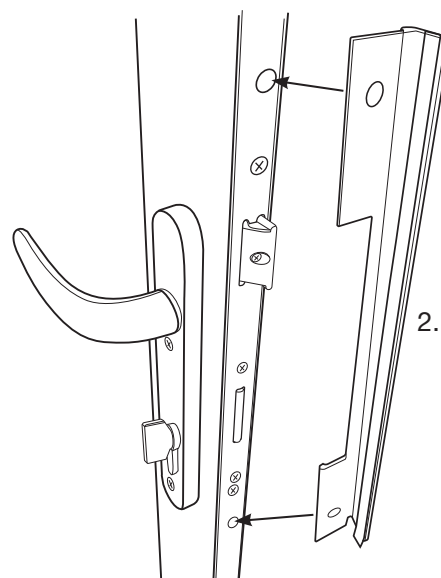
Una vez completada la instalación de la jamba del lado del cerrojo, retira los espaciadores de puerta (**U**).



11 Instala el protector del pestillo



1. Quita los tornillos superior e inferior del mecanismo de una pieza.



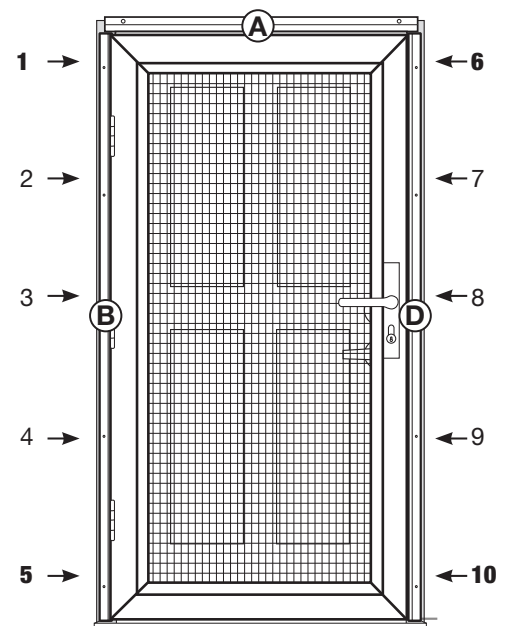
2. Fija el protector de pestillo (**I**) incluido en la caja de herrajes, insertando los tornillos de cabeza plana pintados núm. 8x1" (**M**) en los orificios pretaladrados.

12 Ajusta y alinea la puerta, e instala los tornillos permanentes

PRECAUCIÓN: La puerta debe estar lo suficientemente cerca de la jamba del lado de la cerradura (**D**) para acoplar al gatillo del sistema de cierre de 3 puntos. De lo contrario, los herrajes no funcionarán correctamente.

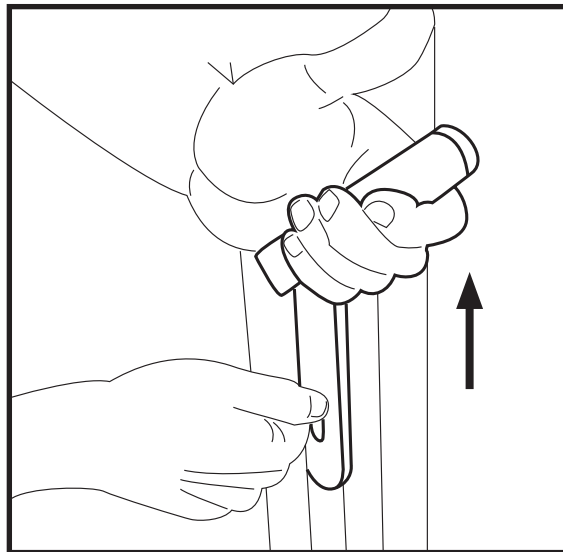
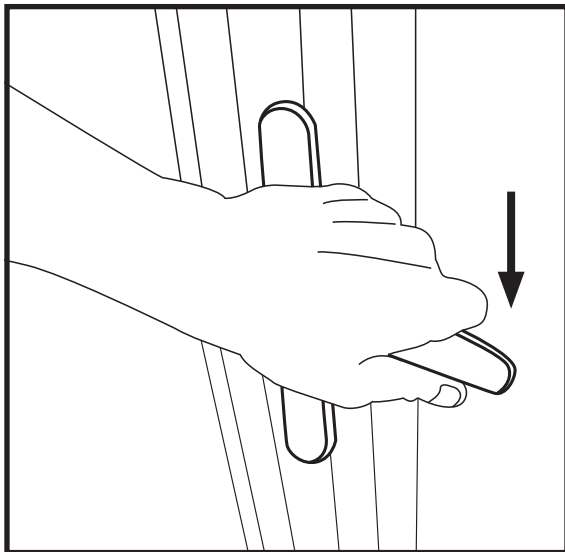
Una vez en su sitio, la puerta debe estar alineada en la parte superior e inferior de los lados de manera uniforme. Si se requiere ajustar, afloja (**SIN** quitar) el tornillo temporal superior de las jambas laterales y el tornillo temporal de la jamba superior (**A**). Usa un mazo de goma para dar unos golpecitos en las jambas laterales izquierda y derecha con vistas a alinear la puerta. **Comprueba si el gatillo del sistema de cierre está correctamente acoplado en la puerta y** enseguida vuelve a ajustar los tornillos temporales.

Pretaladra con una broca de taladro de 1/8" en los orificios restantes 2, 3, 4, 7, 8 y 9 de las jambas laterales y el orificio remanente de la jamba superior; enseguida instala los tornillos permanentes de cabeza plana núm. 10 de 2 1/2" (**J**). Quita los tornillos temporales uno a uno de los orificios 1, 5, 6, 10 y el superior, y reemplázalos por los tornillos permanentes de cabeza plana núm. 10 de 2 1/2" (**J**).

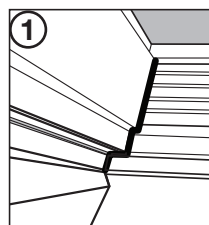


13 Verifica el mecanismo de cierre

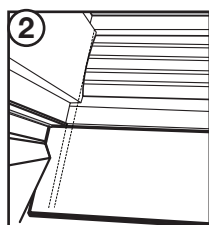
Verifica que el mecanismo de cierre abre, cierra y queda bien seguro. Para probarlo, hala hacia abajo la manija y abre la puerta. Hala hacia arriba la manija para enganchar el mecanismo de cierre de 3 puntos y enseguida gira el cerrojo tipo mariposa en el interior de la puerta hacia la derecha, o gira la llave hacia la izquierda para cerrar.



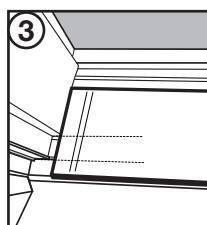
14 Instala la placa del umbral



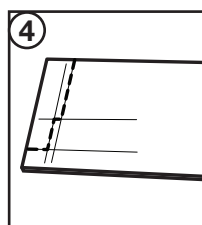
1 Contorno de la puerta actual



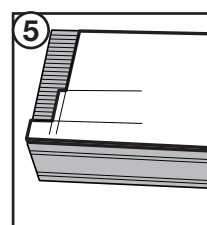
2 Hacer la plantilla de cartón



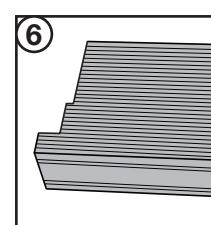
3 Ajustar la plantilla al contorno



4 Recortar la plantilla por el contorno



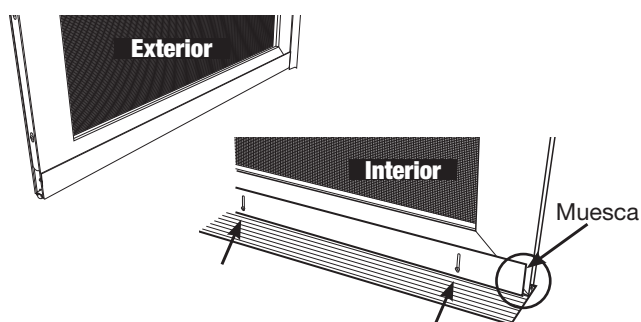
5 Marcar la placa de umbral



6 Cortar la placa de umbral a la medida

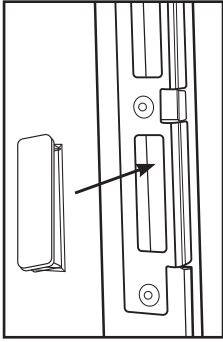
- 1 El contorno de los marcos de las puertas varía, por lo tanto es necesario cortar la placa de umbral (**G**) a la medida. Recomendamos recortar primero una plantilla de cartón a la medida de la abertura para evitar errores irreversibles al cortar la placa de umbral.
- 2 Coloca la plantilla de cartón (**Q**) arriba de la barra inferior y presiona para encajarla en el umbral actual hasta donde sea posible. Con una regla, marca en la plantilla los diferentes anchos de las molduras y contramarcos actuales en ambos extremos.
- 3 Mueve la plantilla hasta dejarla a ras con el borde frontal de la barra inferior (se puede doblar para ajustar al ancho más corto entre las molduras y contramarcos). Marca en las diferentes esquinas de las molduras y contramarcos actuales.
- 4 Con un cuchillo para cartón recorta la plantilla siguiendo el contorno y las marcas de las molduras y contramarcos. Prueba si la plantilla ajusta correctamente. (Debe quedar apoyada sobre la barra inferior con el borde frontal a ras con el de la barra inferior y ajustada a las esquinas de las molduras y contramarco actuales).
- 5 Después de crear la plantilla apropiada, úsala para marcar la placa de umbral.
- 6 Con unas tijeras para hojalatero o de aviador, corta la placa de umbral (**G**) para que coincida con la forma de la plantilla (**Q**). Coloca la placa de umbral extendida a lo largo de la barra inferior y dentro del umbral existente. Fija la placa de umbral al umbral existente usando los tornillos de cabeza plana biselada negros #6x5/8" (**L**).

15 Instala el guardapolvo inferior contra insectos

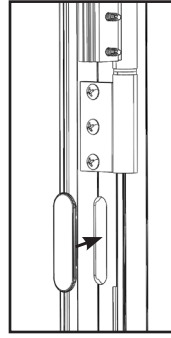


Abre la puerta. Desliza el guardapolvo contra insectos de varias aletas (**F**) en la sección inferior de la puerta. Sostén el guardapolvo en su sitio y cierra la puerta. Deja que el guardapolvo caiga y descance sobre la placa de umbral (**G**). **Nota:** Verifica que no quede ningún espacio entre el guardapolvo y la placa de umbral, y que el guardapolvo quede centrado en la sección inferior de la puerta. Con dos tornillos de cabeza plana biselada pintados núm. 6x5/8" (**L**), fija el guardapolvo a la sección inferior de la puerta en el interior. Comprueba si la puerta cierra y abre sin dificultad. De no ser así, afloja los tornillos y haz los ajustes necesarios. Vuelve a ajustar los tornillos y prueba de nuevo. Repite hasta lograrlo.

16 Instala el tapón de placa del pestillo y los tapones de la jamba de la bisagra Ultimate



Tapón de placa del pestillo
Instala el tapón del pestillo (N) en la ranura inferior sin usar.



Tapón de jamba de bisagra Ultimate
Instala tapones de jamba de bisagra (R) en las ranuras inferiores de la jamba de bisagra (B) en cada bisagra.

17 Instala las cubiertas a presión

Coloca la cubierta a presión (A1) en la primera jamba del lado de las bisagras (Fig. 1, paso 1). Con un mazo de goma, golpea en el lado de la cubierta a presión como se muestra en la (Fig. 2) para colocar adecuadamente la cubierta a presión en su sitio. Una vez que la cubierta a presión esté asegurada, coloca un bloque de madera sobre el largo de la cubierta a presión y golpea con el mazo para emparejar cualquier irregularidad de la superficie de la cubierta a presión.

Repeat process for the hinge-side (B1) and lock-side (D1) snap covers.

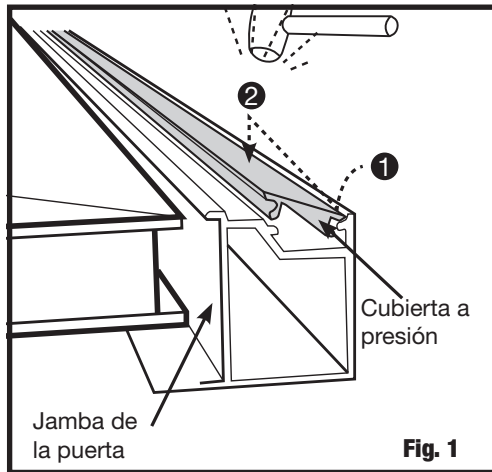


Fig. 1

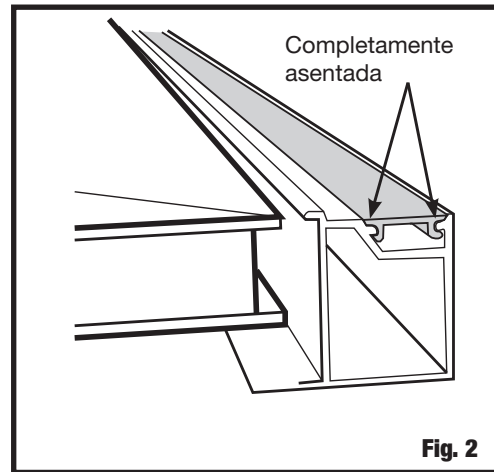
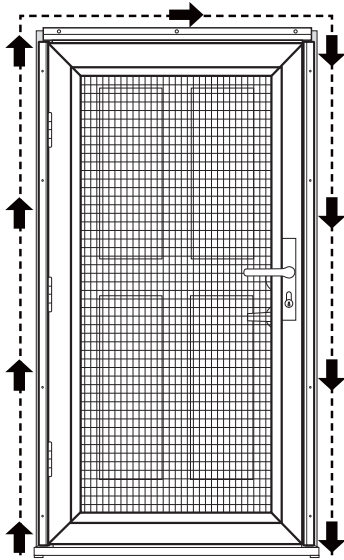


Fig. 2

Sugerencias de retoques finales



① **Pasta selladora (no se incluye)**
Aplica pasta selladora para pintar en el exterior del marco de la jamba de la puerta de seguridad y pinta del color deseado.

② **Lubricante de grasa blanca (no se incluye)**
Cada seis meses, lubrica con grasa blanca las bisagras de la puerta de seguridad nueva.

Cuidado y mantenimiento

Con el tiempo se pueden acumular polvo, suciedad e impurezas en el aire, lo que provocará defectos visuales en la puerta o la ventana y, si está equipado, en la malla Meshtec y, si no se elimina con regularidad y de manera adecuada, puede provocar más daños, manchas y corrosión. Tu programa de limpieza depende de tu ambiente:

AMBIENTE	DESCRIPCIÓN	PROGRAMA DE LIMPIEZA
Suave	Tierra adentro, rural, y lejos de la actividad urbana	cada 6 meses
Moderado	Urbano moderado/suburbano, tierra adentro	cada 3 meses
Extremo	Urbano extremo/suburbano, costero (dentro de 25 millas)	cada 2 a 4 semanas

Lava bien el marco de la puerta y malla Meshtec, si está equipado, con un paño suave, jabón suave y agua. No utilices disolventes fuertes o limpiadores a base de abrasivos. No espongas las manijas, bisagras, ni los cerrojos a cantidades excesivas de agua. Al concluir, elimina el exceso de agua con una paño seco y suave. Para los productos que incluyen una malla Meshtec, presta especial atención al secar completamente el área de unión de la malla al marco. Evita usar objetos afilados o materiales abrasivos en el marco de la puerta o en la malla. Utiliza grasa blanca para lubricar las bisagras en cada limpieza.

Para obtener detalles completos sobre la garantía, visite <https://helpmeinstallit.com/warranty-statement> o simplemente escanee el código QR a continuación.



Registre su producto en <https://uniquehd.com/registration/>