

Surface Mount

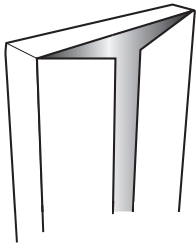
ULTIMATE DOUBLE SECURITY SCREEN DOOR KIT

INSTALLATION INSTRUCTIONS



DISREGARD INSTRUCTIONS INCLUDED WITH DOOR PANELS

- Read completely through the kit installation instructions before proceeding with installation
- Installation requires two people
- Use appropriate protective equipment, including safety glasses
- Children should not be allowed in work area
- Failure to install door correctly could result in injury



RETAIN PACKAGING DURING INSTALLATION

Do NOT discard packaging materials until installation is complete



PROFESSIONAL INSTALLATION RECOMMENDED

Above average degree of difficulty. Requires installation experience.



helpmeinstallit.com

NEED HELP?

REVIEW INSTALLATION VIDEO

Even professional installers will benefit from watching.



1-866-317-8867

support@uhdco.com

CONTACT US BEFORE RETURNING

Customer service and technical support are available.

Monday - Friday: 7:00am - 5:00pm MST

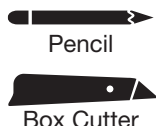
RECOMMENDED TOOLS



Safety Glasses



Measuring Tape



Pencil

Box Cutter



Drill Bit

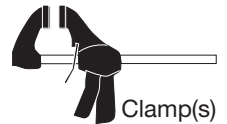
1/8" & 7/16"
minimum length: 2-3/4"
1/2" Spade Bit



Drill



Needle Nose
Pliers



Clamp(s)



T10 Torx, Phillips-head &
Flat-blade screwdriver



Square



Tin Snips



Level



1/4" Wood Chisel



Rubber Mallet



Wood Blocks (2"x4"x6")
Shims

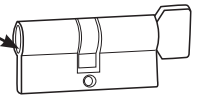
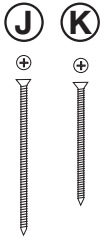
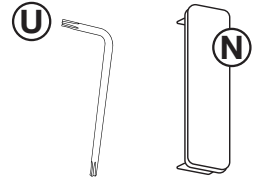
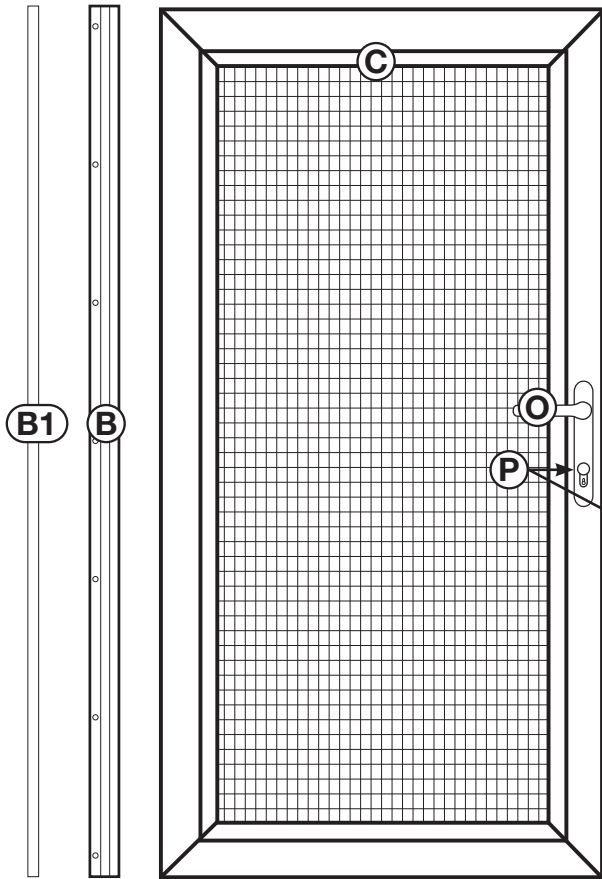
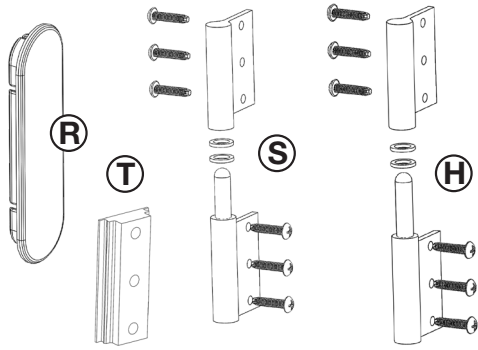


Paintable Caulk &
Caulk Gun

SINGLE DOORS (2)

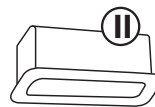
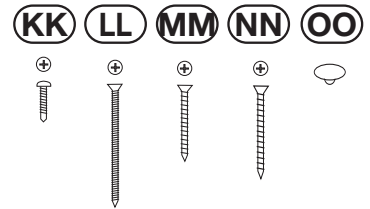
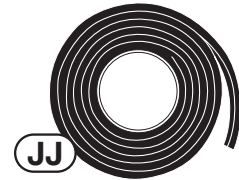
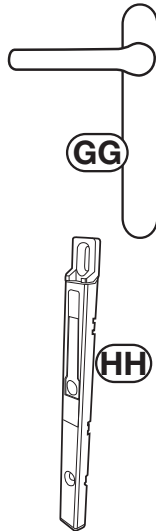
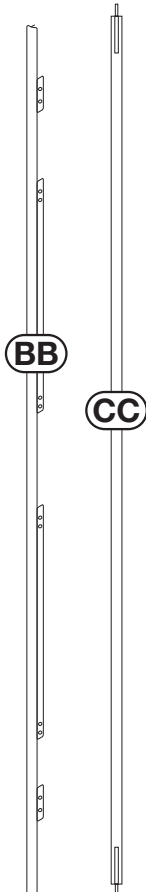
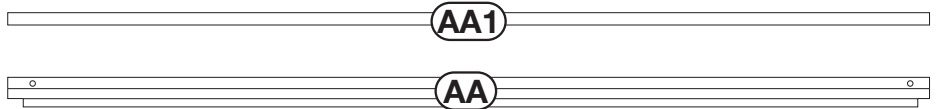
NOTE: Not all parts from single doors will be used for a double door configuration.

- B) Hinge-side jambs (2)
- B1) Hinge-side snap covers (2)
- C) Security screen doors (2)
- H) Long pin hinges (4) & fasteners (12)
- S) Short pin hinges (4) & fasteners (12)
- T) Hinge Shim
- O) Locking handles (2 pc)
- P) Lock cylinder & flat-head bolt (1)
- J) #10x2-1/2" flat-head screws (24 pcs.)
- K) #6x2" temporary dry wall screws (6 pcs)
- N) Latch plate plugs (2)
- R) Ultimate hinge jamb plug (6)
- U) Latch torx



DOUBLE DOOR KIT

- AA) Top header jamb
- AA1) Top header jamb snap cover
- BB) Latch guard
- CC) Astragal
- DD) Bottom bar
- EE) Threshold
- FF) Bug sweeps (2)
- GG) Dummy handle (2 pc)
- HH) Shoot bolts (2)
- II) Shoot bolt receiver cups (2)
- JJ) Weather stripping
- KK) #6 x5/8" pan head screws (painted - 6 pcs., black - 10 pcs.)
- LL) #6x2" temporary dry wall screws (4 pcs)
- MM) #8x1" flat-head screws (painted - 6 pcs., silver - 4 pcs.)
- NN) #8x1-1/2" painted flat-head screws (4)
- OO) Plastic plugs (6)
- PP) Threshold template



When Supplied: Pre-installed corner keys in the top header jamb (2) and #6x5/8" pan-head screws (4)



1 Identify and prepare mounting surface

Inspect Your Entryway for Obstructions

Check for any obstructions above and around your entryway that may prevent the outward swing of your new security door, and/or its installation, such as:

- Light fixtures
- Low overhang
- Door bell
- Trees, bushes, or hanging plants

Determine Type and Readiness of Mounting Surface

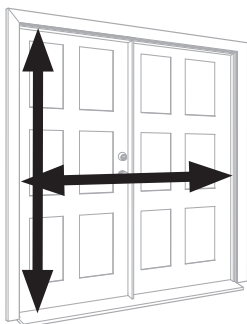
Your new security door will require a minimum mounting surface of 1" on the trim above, and on both sides of your entry door. Mounting screws should be secured to a stud in the wall. Review diagrams at right, and determine which one most resembles the trim around the entry door to which you will mount your security door.

Measure Your Opening

Measure between the edges of the left and right mounting surfaces for opening width. Measure between the edge of the upper mounting surface and the existing threshold for opening height. Use the following chart and these measurements to be sure the security door will fit your opening.

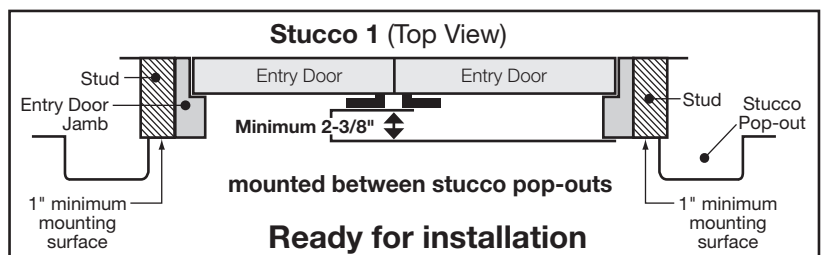
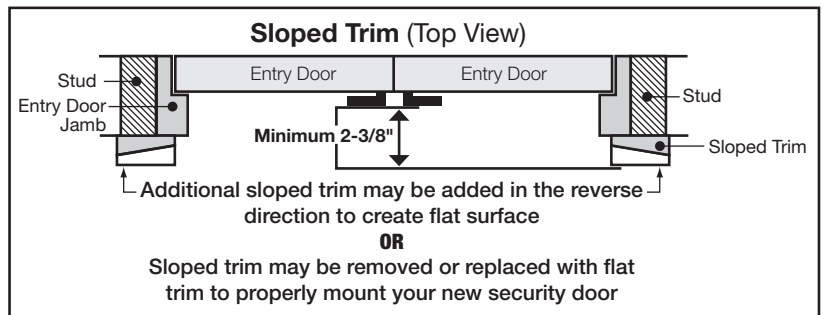
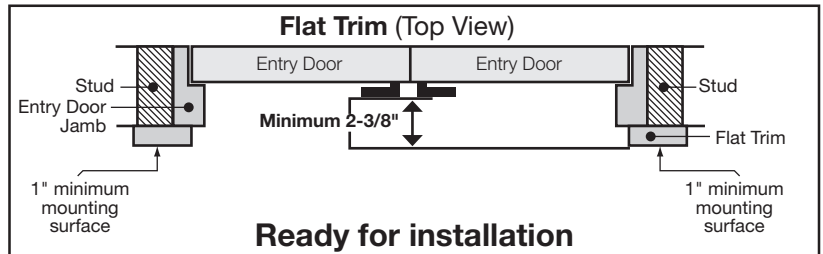
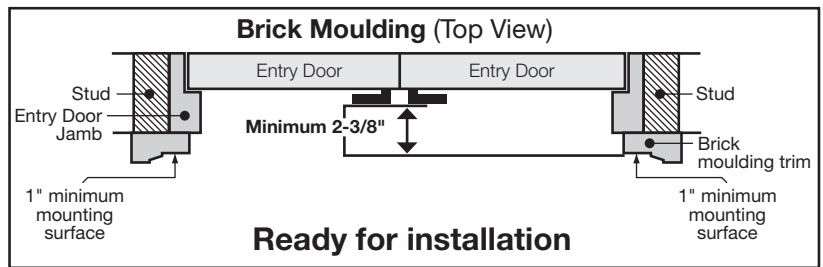
Security Door Size	Fits Door Opening Sizes	
	Width (W)	Height (H)
64" x 80"	64 5/8" - 65 5/8"	79 3/4" - 81 3/4"
72" x 80"	72 5/8" - 73 5/8"	

If the opening identified does not fall within the fit range, you can check to see if there is another mounting surface in your entryway that will work, build your mounting surface out using stop or similar trim, or remove and reconfigure your trim to fall within the fit range.

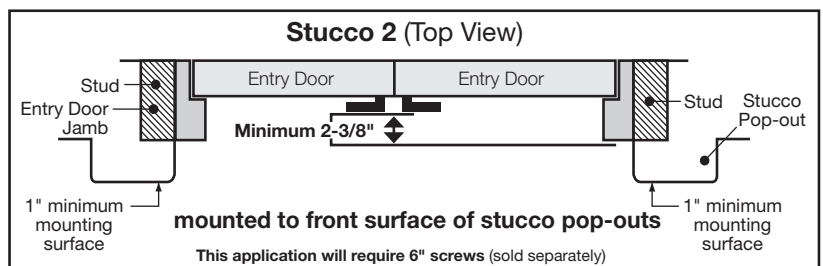


Measure height from inside edge of mounting surface to existing threshold

Measure width from inside edge of each mounting surface

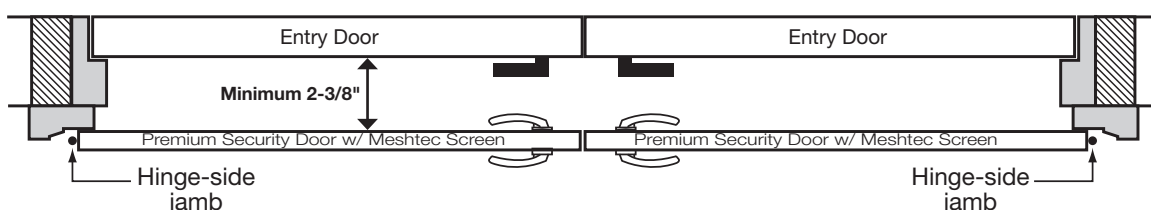


CAUTION: Check closely for possible hardware interference!



Check for Hardware Interference

Measure the depth from the corner of your mounting surface to your existing entry door hardware. If this measurement is 2-3/8" or greater there is no potential for hardware interference. If the measurement is less than 2-3/8", measure from the edge of the mounting surface on top of the door to the top and bottom edge of the part of your existing hardware that intrudes into the 2-3/8" clearance. If either of these 2 measurements falls between 39-1/4" and 43-1/4", the security door and existing door hardware will interfere with each other. You can either build your mounting surface out to create the clearance required or change out your entry door hardware for lower profile units. If there is less than 2-3/8" clearance between the surface of the main entry door and the security door mounting surface, a build out is required.



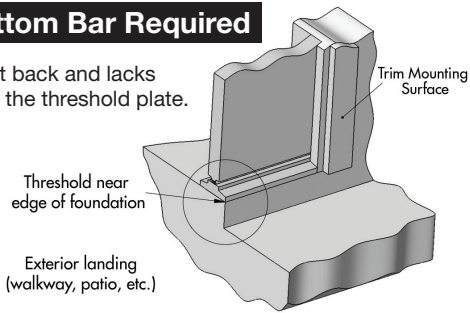
2 Determine threshold configuration

Look at your existing entry door threshold and use the diagrams below to determine which threshold configuration best applies to your entryway. This will determine whether a bottom bar is or is not required for your security door.

Bottom Bar Required



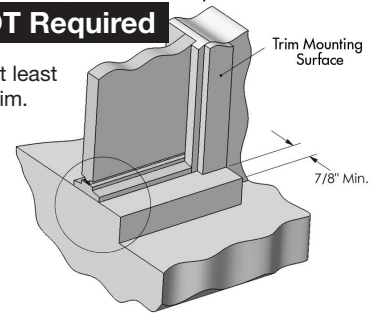
The concrete is set back and lacks space to mount to the threshold plate.



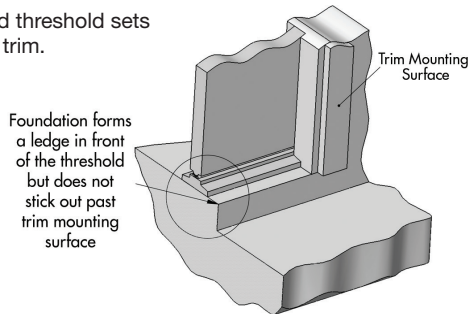
Bottom Bar NOT Required



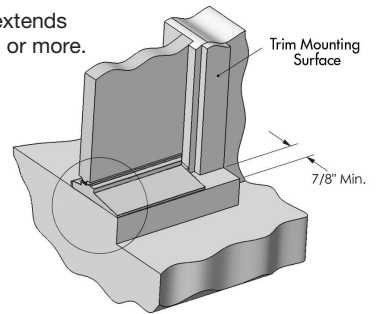
The concrete extends at least 7/8" further than your trim.



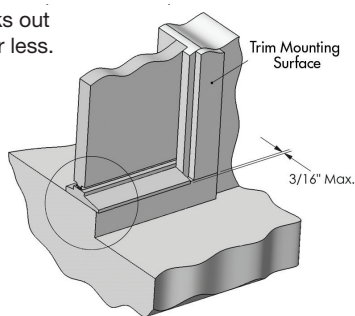
The concrete and threshold sets back behind the trim.



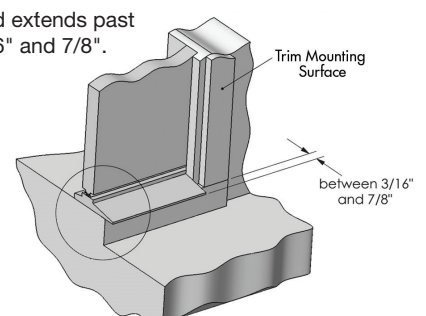
The existing threshold extends beyond the trim by 7/8" or more.



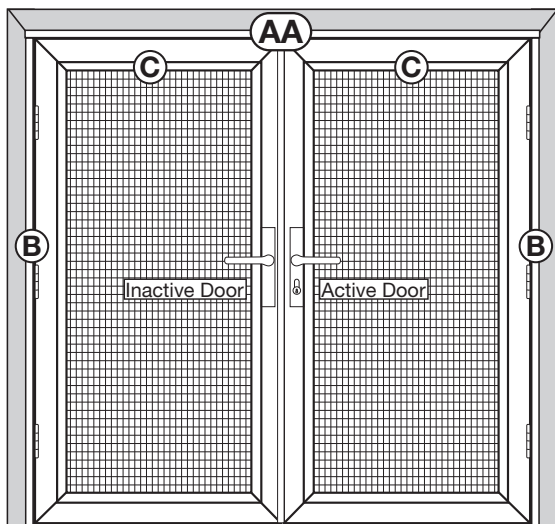
The existing threshold sticks out beyond the trim by 3/16" or less.



The existing threshold extends past the trim between 3/16" and 7/8".

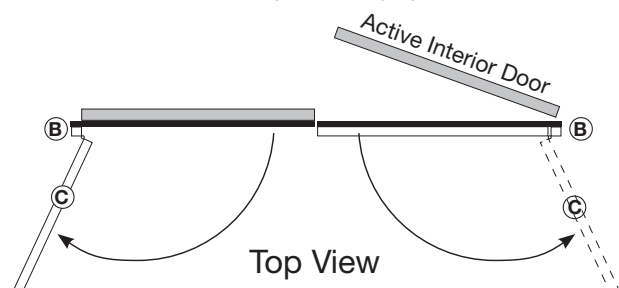


3 Determine active and inactive doors



The **active door** should be on the same side as the active main door. Both security doors will be operational. The inactive door will be held stationary by shoot bolts (**HH**) at the top and bottom of the door. The shoot bolts can be retracted to open the inactive door.

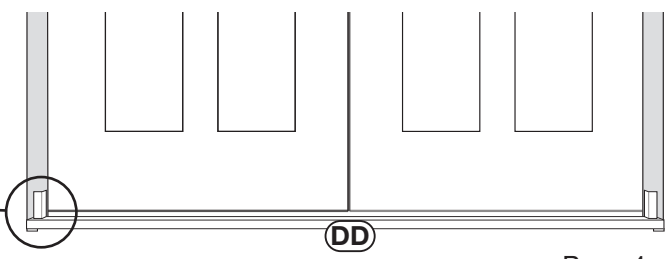
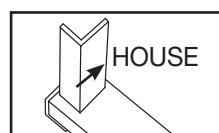
Determine swing of door. Once determined, lay out both hinge jambs (**B**) and header jamb (**AA**) around the door panel (**C**) on the ground and mock up hinges (**H & S**) in their positions. It is easy to mistakenly flip the door when installing, so be sure to mark the door once mocked up to ensure proper orientation.



4 Install bottom bar if necessary

If using the bottom bar (**DD**) it will need to be installed 1/8" to 1/4" lower than the existing doorway so that there is a slope to the threshold. This allows any moisture to drain away from the door.

Center the bottom bar in the door opening being sure the bracket opening is toward the house.



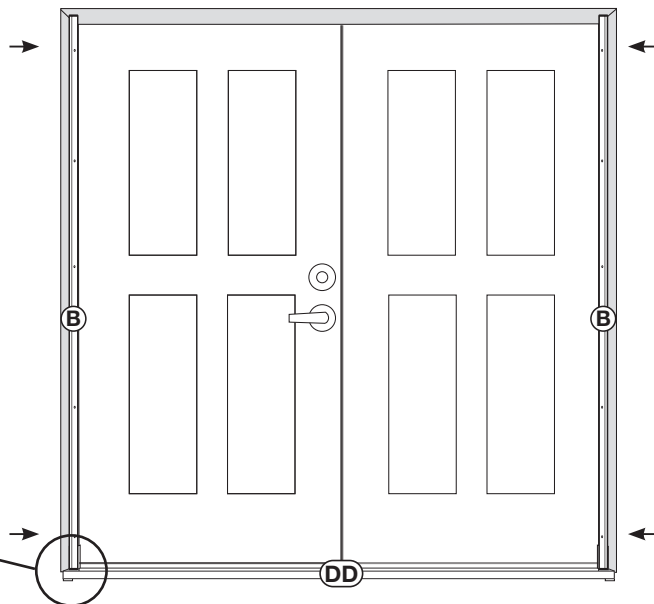
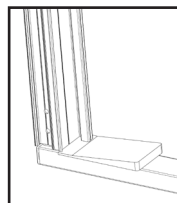
5 Install side jambs (If top header is equipped with corner keys, skip to step 5b-6b)

Place the active door hinge-side jamb (**B**) into position over bottom bar (**DD**) while placing a shim in between to leave room to insert threshold plate (**EE**) in step 21. Be sure that it is plumb and level against the mounting surface. Install using two temporary mounting screws (#6x2" temporary drywall screws (**K**)) one at the top and one at the bottom.

Place the inactive door hinge-side jamb (**B**) into position over bottom bar (**DD**) while placing a shim in between to leave room to insert threshold plate (**EE**) in step 21. Be sure that it is plumb and level against the mounting surface. Install using two temporary mounting screws (#6x2" temporary drywall screws (**K**)) one at the top and one at the bottom.

These screws are inserted to temporarily hold the jambs in place.

Do NOT install permanent screws.

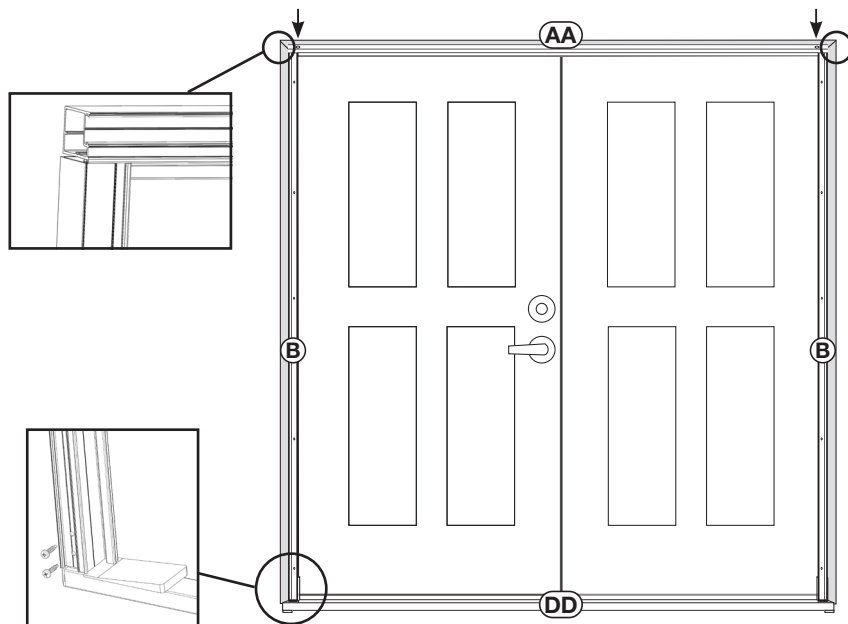


6 Install top header jamb and attach bottom bar

Place the top header jamb (**AA**) into position without the end caps installed, aligning flush on both ends with each hinge-side jamb (**B**). If necessary, loosen the top temporary screw(s) on the side jamb(s) (**B**) to make the top header jamb flush. Use two temporary mounting screws (#6x2" temporary drywall screws (**K**)) to attach top header jamb, one at the right and one at the left. Re-check plumb and level of side jambs and adjust as needed.

These screws are inserted to temporarily hold the jambs in place. **Do NOT install permanent screw.**

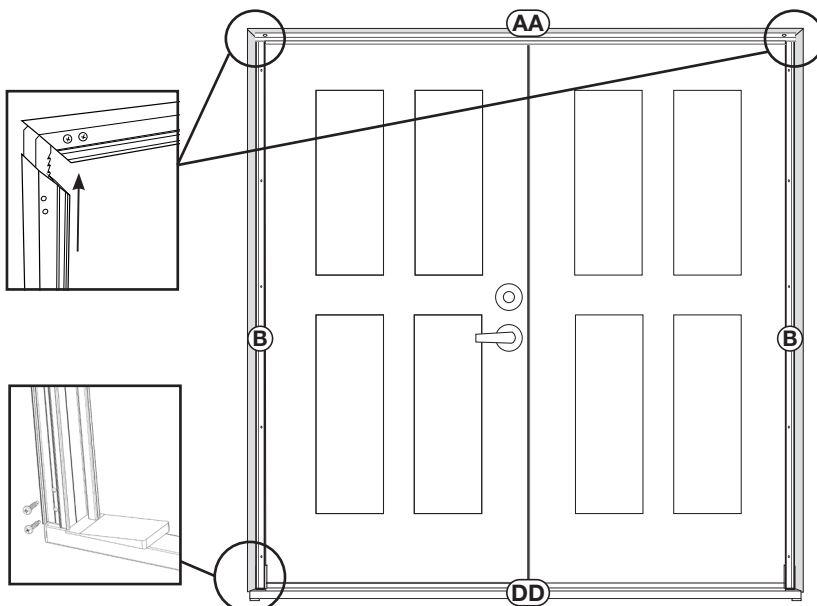
Attach bottom bar using two black #6x5/8" pan head screws (**KK**) as shown.



5b-6b Only follow steps 5b & 6b if equipped with corner keys

5b) Secure the hinge jambs (**B**) to the top header (**AA**) to create a one piece frame using the corner keys pre-installed in the header jamb and the four #6x5/8" screws provided. Pre-drill into each corner key through the drill hole(s) in each side jamb using a 7/16" drill bit going 3/4" deep then fasten the corner key using the #6x5/8" screw(s) provided. Raise the assembled frame and prop the side jambs to the correct height and adjust for level and plumb, securing the assembly all around using six #6x2" (**K**) temporary drywall screws, two through each hinge jamb and two through the top bar.

6b) Place a shim between the bottom bar and jamb. Attach the bottom bar (**DD**) using two black #6x5/8" (**KK**) pan head screws as shown.

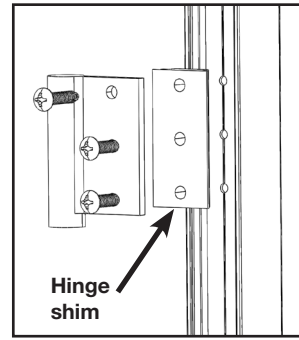
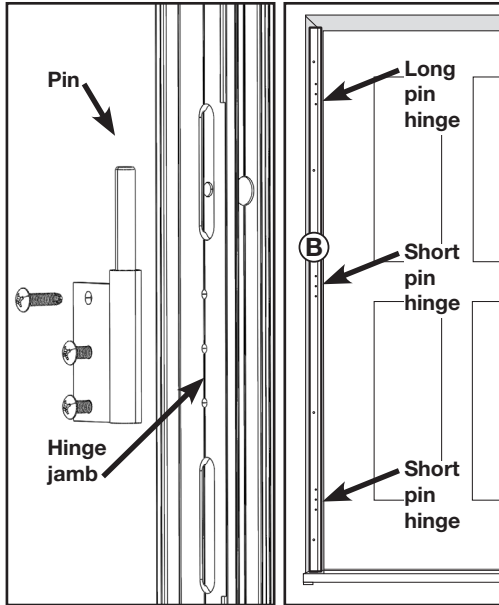


7 Attach hinges to doors and hinge side jambs

Separate the hinge leaves and keep washers included with each hinge, set aside for now.

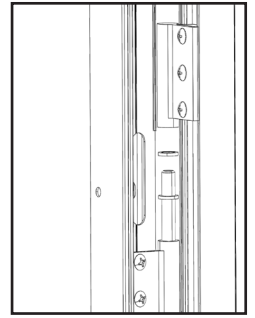
With pins facing up, attach pin side of the hinges to the hinge side Jamb (B), attach with three #8-32 x 3/4" screws.

Long pin hinge leaf (H) at the top and short pin hinge leaves (S) in the center and lower positions.



Place hinge shim (T) into door sash over mounting holes

Attach non-pinned hinge leaves to door, over the hinge shims (T) with the opening facing the bottom of the door, using three #8-32 x 3/4" screws each.

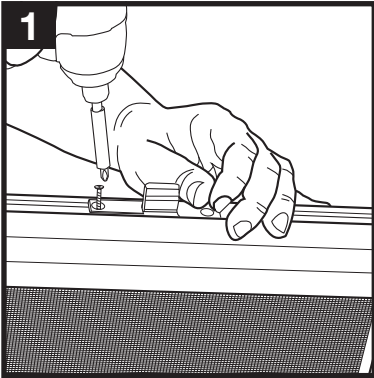


Place two washers back on the pinned side of each hinge

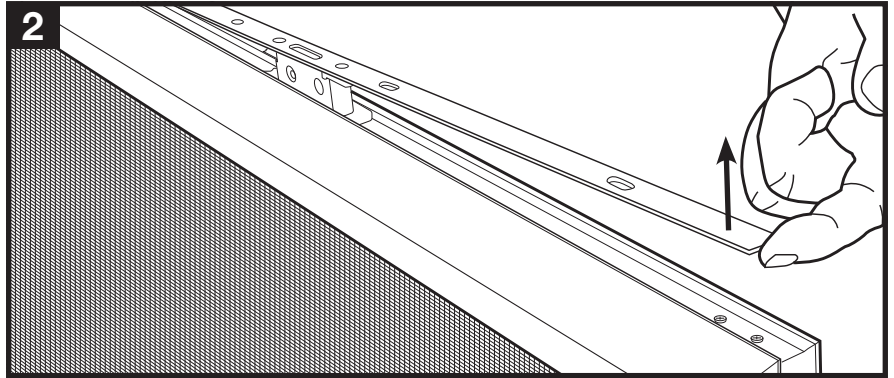
Repeat for the inactive door panel

CAUTION: Do NOT lay door on it's side so that it rests on the 3-point lock throws.

8 Prepare inactive door

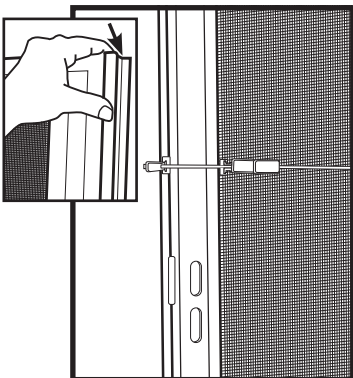


Remove the mounting screws on all three locks of the inactive door.

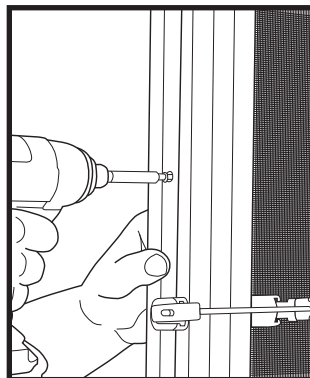


Lift the one-piece gear up and out of the edge of the door. Set aside.

9 Install astragal on inactive door

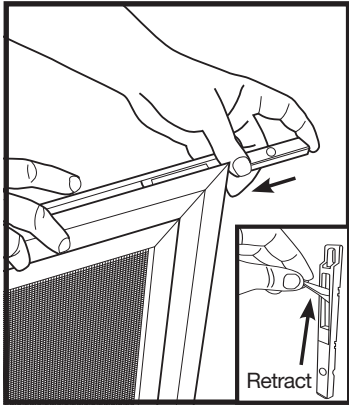


Place the astragal (CC) on the inactive door so the top edge is even with the top edge of the door panel. Clamp in place.

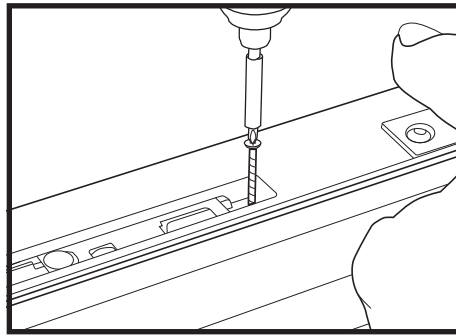


Attach the astragal (CC) to the inactive door using four #8x1-1/2" flat-head screws (NN).

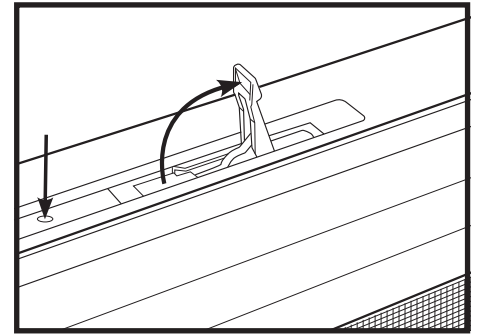
10 Install top shoot bolt in astragal



Retract the shoot bolt (**HH**) using the lever indicated by the red dot. With door panel laying on hinge-side, slide the shoot bolt in the top of the astragal so it is flush with the top edge of the astragal (**CC**).

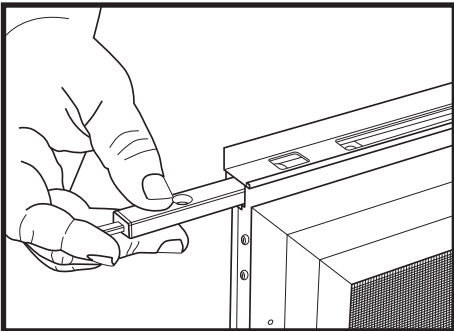


In the exposed top mounting hole in the astragal (**CC**) attach the top shoot bolt (**HH**) using #8x1" silver flat-head screw (**MM**).

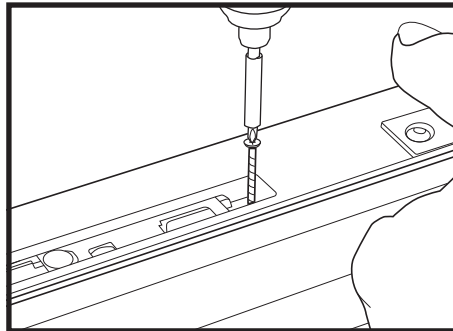


Deploy the shoot bolt lever to expose the bottom mounting hole attach using #8x1" silver flat-head screw (**MM**).

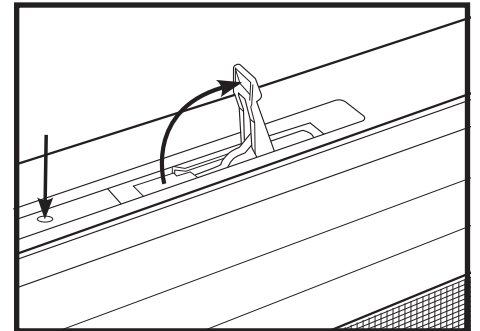
11 Install bottom shoot bolt in astragal



Slide the shoot bolt (**HH**) into the astragal (**CC**) at the bottom of the inactive door. Retract the shoot bolt by pulling up on the lever and position shoot bolt flush with the bottom of the astragal.

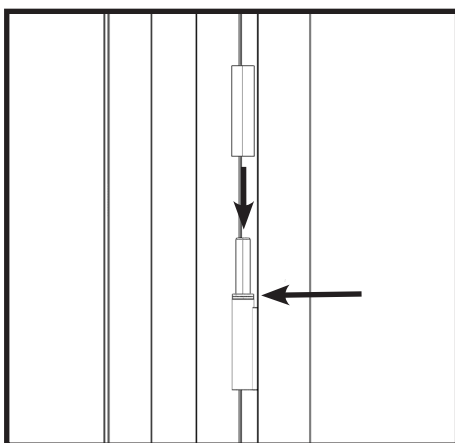


In the exposed top mounting hole of the shoot bolt (**HH**) attach using #8x1" silver flat-head screw (**MM**).

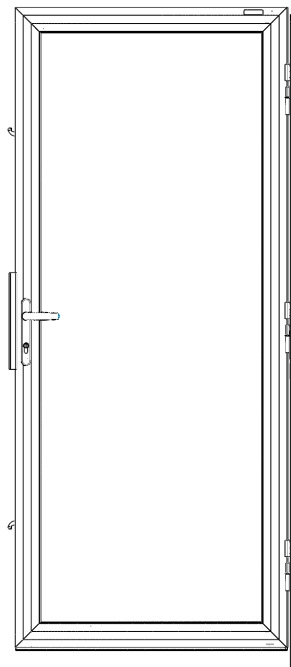


Deploy the shoot bolt lever to expose the bottom mounting hole attach using #8x1" silver flat-head screw (**MM**).

12 Hang door panels



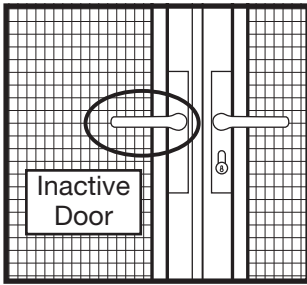
Prior to hanging the doors, ensure each hinge has two washers inserted over the pin. Place the top hinge barrel of the door over the long pin at the top of the door jamb.



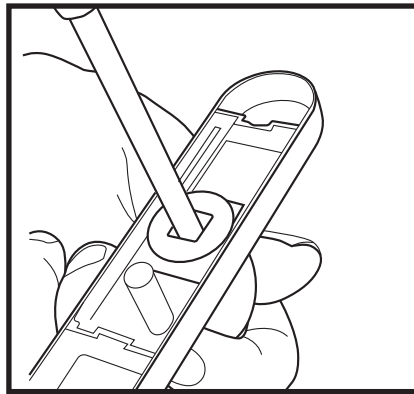
Align the two lower hinge barrels over the center and lower hinge pins and slide the door down.

Repeat this step to hang the inactive door panel.

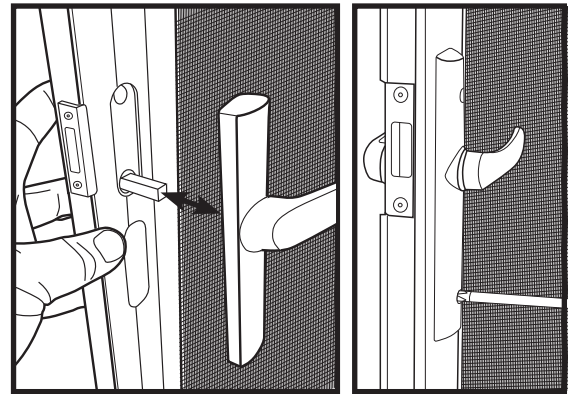
13 Install inactive door dummy handle



Make sure to orient handles in desired direction depending on right or left location of inactive door.



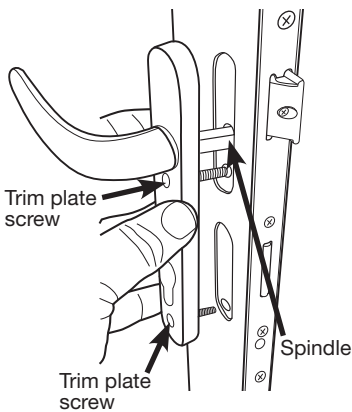
Using a Phillips-head screwdriver loosen the screw inside the handle, turn handle to desired direction then re-tighten the screw to set in place.



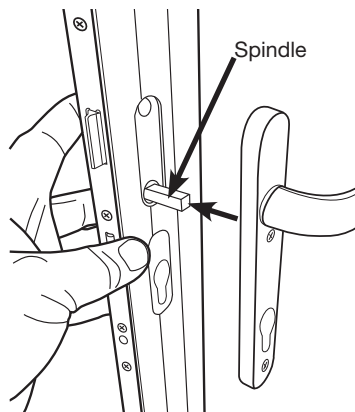
Insert dummy handle (GG) with spindle through the interior of the active door and into the opposite dummy handle. Attach the handles using two 1-3/8" fine thread bolts included with the handle set. Leave each screw loose by 1/2 turn. They will be tightened in step 14.

14 Install active door handle and lockset

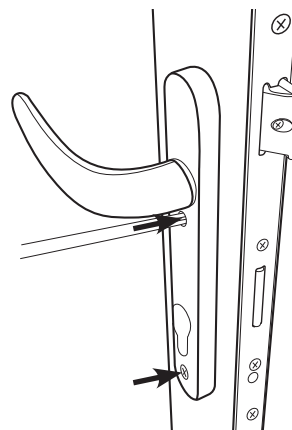
1) Start on the **interior** side of the door. With the handle (O) facing toward the screen, insert the spindle and mounting screws through the mortise gear in the door panel.



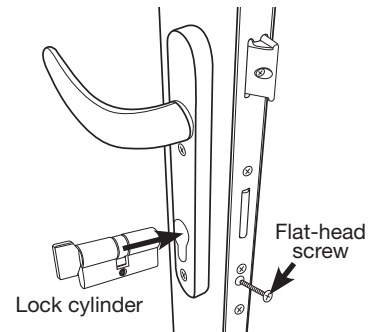
2) Move to the exterior of the active door. With the handle pointing toward the active door panel hinges, align the openings on the inside of the other handle (O) with the spindle and 2 mounting screws and position the handle against the door frame.



3) While holding both handle trim plates in place, tighten the mounting screws and then back off 2 turns. These screws will be tightened after the lock cylinder is installed.



4) From the inside of the door, insert the lock cylinder (P) into the door through the trim plate. Using a Phillips-head screw driver, tighten the flat-head screw until snug. Do **NOT** over-tighten. Tighten the two handle mounting screws until snug.

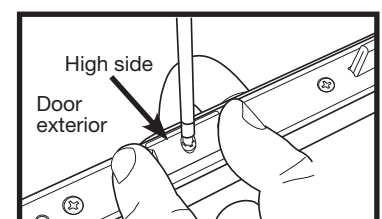
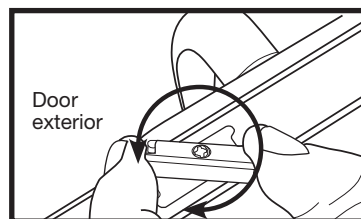


For duplication and rekeying purposes, the lock cylinder provided uses a Kwikset® keyway.

"Kwikset" is a registered trademark of Newfry LLC.

15 Flip center latch (if necessary)

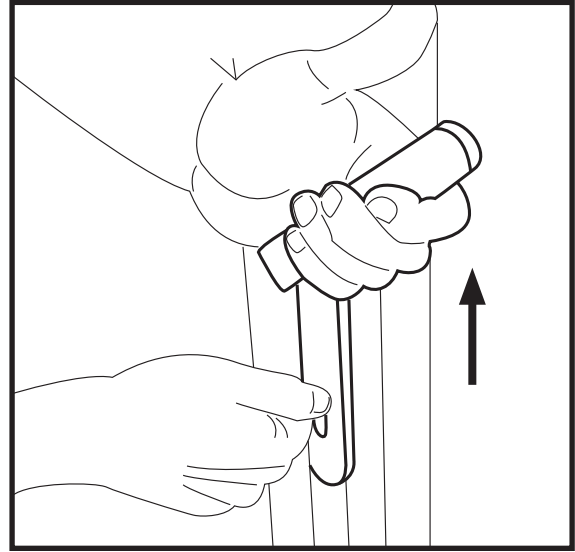
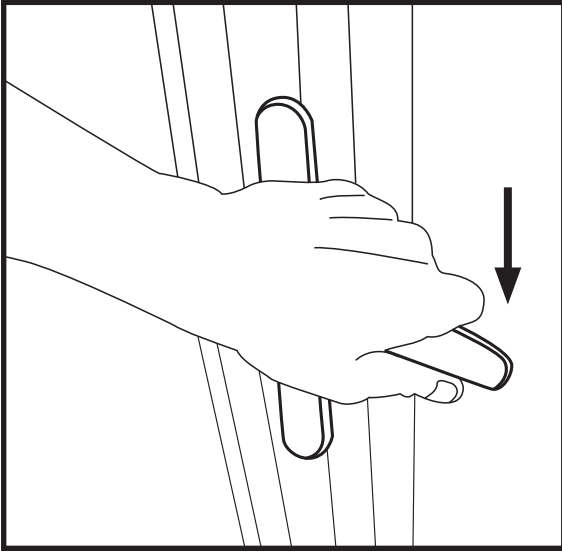
Depending on right or left side placement of active door the center latch may need to be flipped. With the provided latch Torx wrench (U) or a T10 Torx driver loosen (do not remove) the screw just enough to raise the latch and turn clockwise to reverse the position. Depress the latch back into its slot and hold in while tightening the screw. Save the wrench for future use in case the latch requires tightening



Note: the high side of the latch should be on the exterior side of the door. Re-tighten screw.

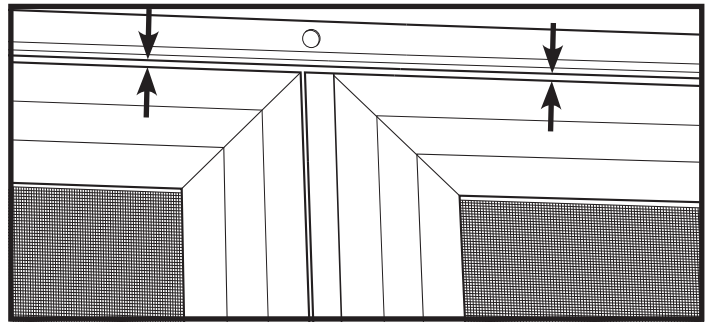
16 Test locking mechanism

Verify that the locking mechanism opens, closes and locks properly. To test, pull down on the door handle to open the door. Pull up on the door handle to engage the 3-point locking mechanism then turn the thumb-turn on the inside of the door clockwise or turn the key counterclockwise to lock.

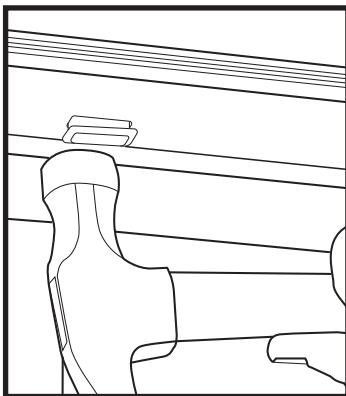


17 Adjust and align top reveal

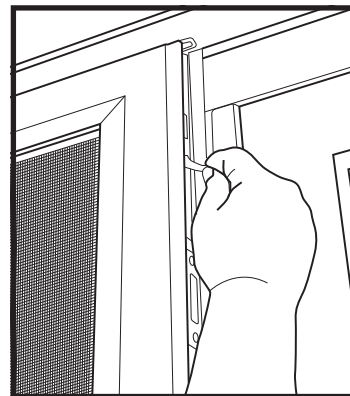
Close both the active and inactive doors. Both doors should align at the top with an even reveal. If adjustment is necessary loosen (do **NOT** remove) the top temporary jamb screws from each side jamb. Use a rubber mallet to tap the right or left side jamb so doors become aligned. Re-tighten temporary screws.



18 Install top shoot bolt receiver cup



Install the top shoot bolt receiver cup (II) into the top header jamb (AA). Using a hammer or rubber mallet, gently tap the shoot bolt receiver cup into the pre-cut hole in the top header jamb until flush. **Note:** if there is interference with the existing door frame use a 1/2" spade bit to drill out the area.



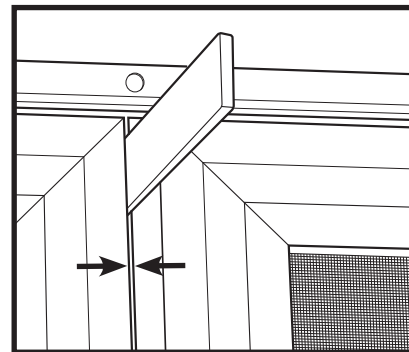
Close the inactive door and deploy the shoot bolt (HH) to test for proper fit.

19 Adjust and align center reveal

Close both the active and inactive doors (**C**). Both doors should align down the center with an even 1/8" reveal. If adjustment is necessary loosen (do **NOT** remove) applicable temporary jamb mounting screws. Use a rubber mallet to tap the right or left side jambs (**B**) in small increments, so doors become aligned and reveal is even. Hint: place a shim between the doors to help maintain the reveal while making adjustments. Re-tighten temporary screws as adjustments are made.

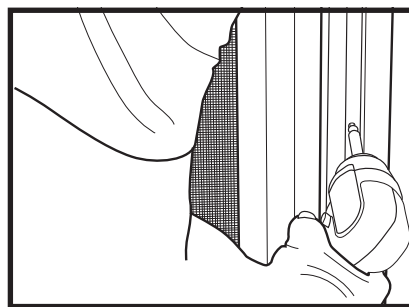
Re-check for plumb. If necessary slightly loosen temporary screws and place shim(s) between security door frame and house. Re-tighten temporary screws.

NOTE: Doors may have an hourglass shape which occurs during screen tensioning. The center of the doors may appear to have a larger gap in the center where the door latches. If the doors latch correctly, then the install is successful and the latch guard will cover the uneven reveal.

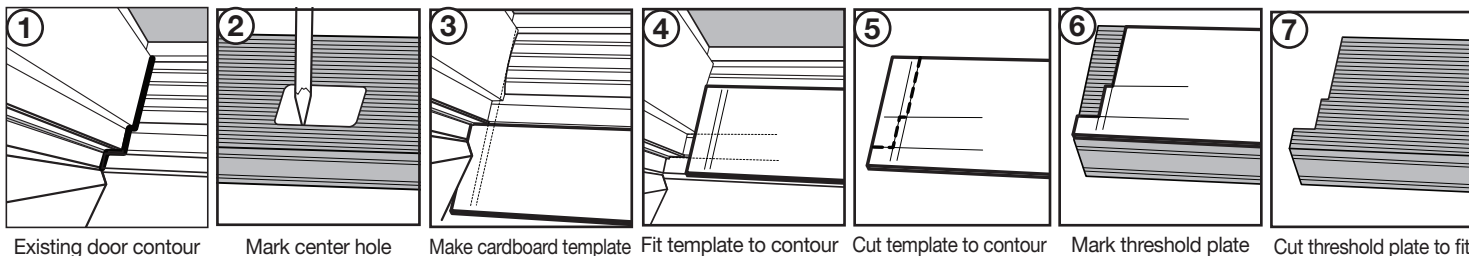


20 Install permanent mounting screws

Pre-drill through mounting holes without temporary screws using a 1/8" drill bit. Install permanent screws (#10x2-1/2" self-tapping flat-head screws (**J**)) into mounting holes. Remove temporary screws one at a time and replace with permanent screws (#10x2-1/2" self-tapping flat-head screws (**J**)).



21 Install threshold plate

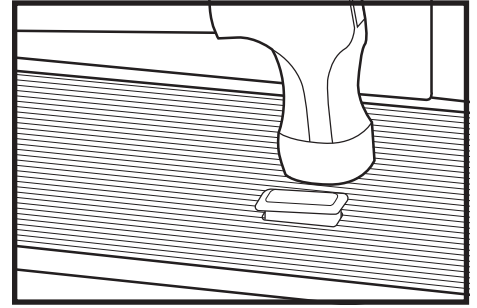


- 1 The contour of door framing varies, making it necessary to cut the threshold (**EE**) to fit. We recommend cutting a cardboard template to fit the opening first, to avoid cutting the threshold incorrectly.
- 2 Place the threshold template (**PP**) on the under-side of the threshold plate flush at both ends. Mark the pre-punched rectangle in the center and trim out the hole.
- 3 Lay cardboard template provided (**PP**) on top of the bottom bar and push into existing threshold as far as it will go. Align the hole in the center of the template with the bottom of the shoot bolt and center. Using a straight edge, mark the template at the various widths of your existing moulding and trim at both ends.
- 4 Move template so that front edge is flush to the front edge of bottom bar (it is okay to bend template to allow to fit the shortest width between your moulding and trim). Mark at the various corners of your existing moulding keeping in mind the shoot bolt receiver cup (**II**) is in the center of the opening so the template must be lined up accordingly, then trim.
- 5 Using box cutter, cut template to shape of moulding and trim revealed by the markings. Test fit the template. (It should lay across the bottom bar, with the front edge flush to the front edge of the bottom bar, and fit in and around the corners of the existing moulding and trim.)
- 6 Once you have created a good template, use the template to mark the threshold plate.
- 7 Using tin snips/aviator snips, cut threshold plate to match the shape of the template. Position threshold plate to extend across the bottom bar and into the existing threshold. Attach threshold plate (**EE**) to existing threshold using #6x5/8" black pan head screws (**KK**).

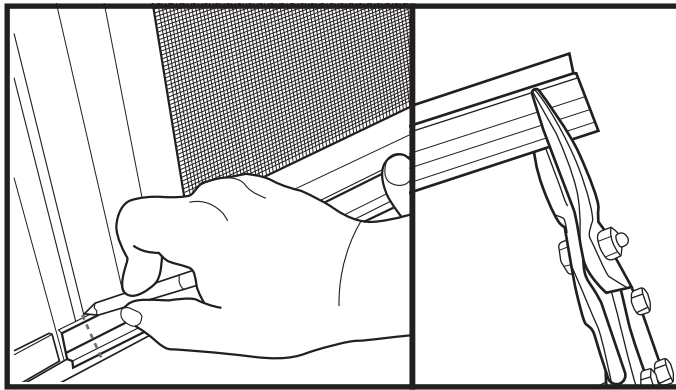
22 Install bottom shoot bolt receiver cup

Install the bottom shoot bolt receiver cup **(II)** into the threshold **(EE)**. Using a hammer or rubber mallet, gently tap the shoot bolt receiver cup into the pre-cut hole in the threshold until flush.

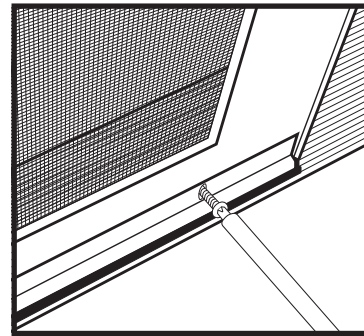
Close the inactive door and deploy the shoot bolt **(HH)** to test for proper fit.



23 Install bug sweeps



With both doors closed, position a bug sweep **(FF)** on the bottom of the active door on the **exterior** against the hinge-side jamb. Mark where the active door meets the edge of the astragal mounted to the passive door and trim using tin snips.

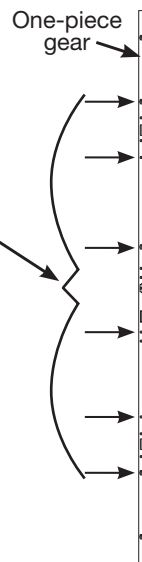


Place bug sweep **(FF)** against the active door on the **exterior** and adjust up or down until the bottom of the sweep rests on the threshold. Attach the bug sweep using the screws provided. Repeat process, without trimming, for inactive door sweep.

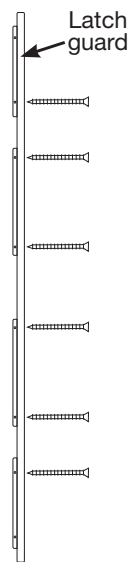
Attach bug sweeps using white #6x5/8 painted pan head screws **(KK)**. To complete, move to the interior of the doors and install plastic plugs **(OO)** in open holes opposite the attachment screws for the bug sweeps.

24 Install latch guard

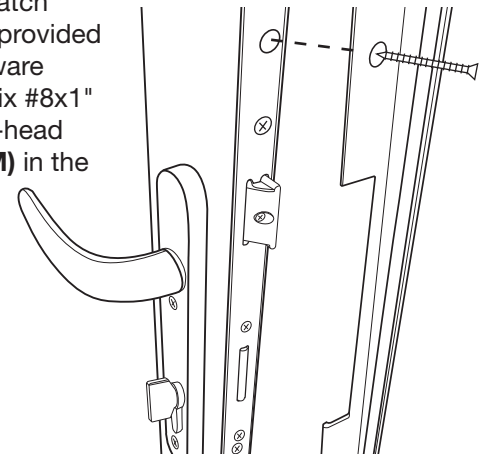
1. Remove screws from the one-piece gear.



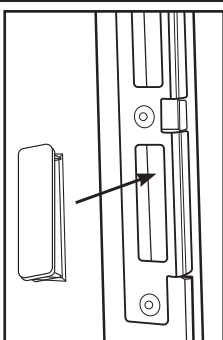
2. Hold or clamp latch guard in place even with the top of the active door aligning with the pre-drilled mounting holes in the door panel **(C)**.



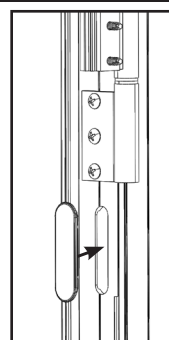
3. Attach the latch guard **(BB)** provided in the hardware box using six #8x1" painted flat-head screws **(MM)** in the pre-drilled holes.



25 Install latch plug

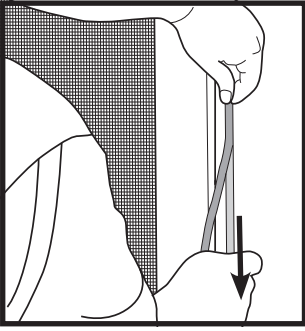


Latch Plate Plug
Install latch plug **(N)** in unused bottom slot.



Ultimate Hinge Jamb Plugs
Install hinge jamb plugs **(R)** into the lower slots in the hinge jamb **(B)** at each Hinge.

26 Install astragal weather stripping

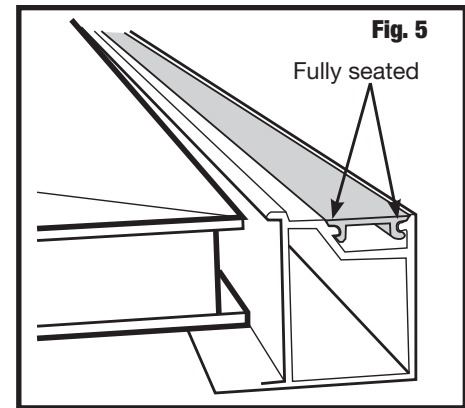
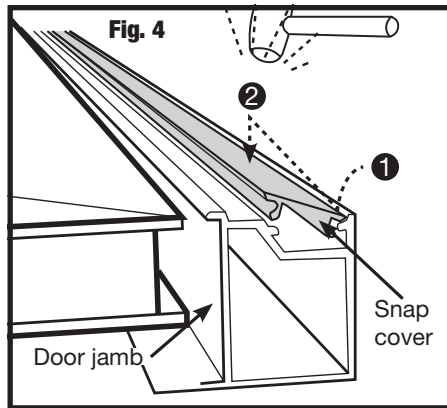


Install weather stripping (**JJ**) to the full length of the stop leg of the astragal (**CC**) (where the active door closes against the astragal). Start at the top, remove approximately 6 inches of the protective backing at a time and adhere to the astragal. Slowly and carefully work your way down the full length of the door. Trim at the bottom as needed.

27 Install snap covers

Place the snap cover (**B1**) in the first hinge-side jamb (**Fig. 4, step 1**). Using a rubber mallet, hit on the side of snap cover seen in (**Fig. 5**) to securely snap cover into place. Once snap cover is secured, hold a wood block over the length of the snap cover and hit with mallet to smooth any irregularities in the snap cover surface.

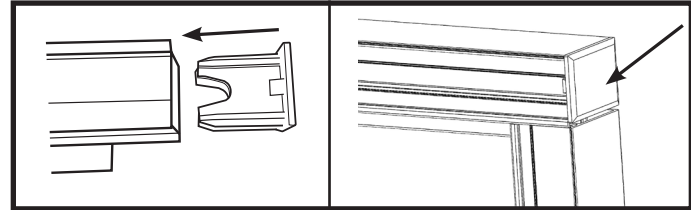
Repeat process for the second hinge-side jamb (**B1**) and top header (**AA1**) snap covers.



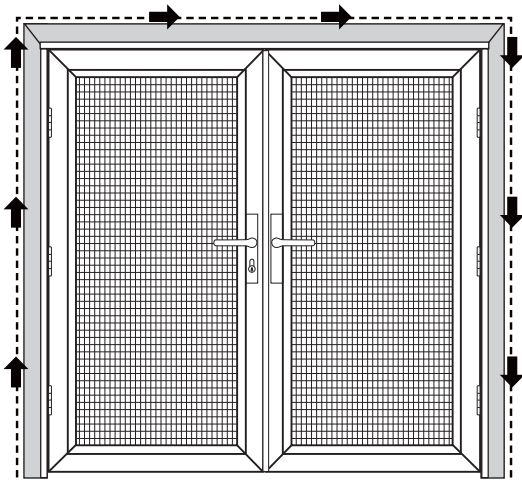
28 Install end caps

With a flat-head screwdriver carefully remove two of the end caps from one of the header jambs of the single doors. Insert the caps into the ends of the double door header jamb (**AA**) and gently tap each endcap with a hammer or rubber mallet.

This step does not apply to doors that have corner keys



Touch-up and lubricate



① **Caulk (not included)**
Caulk around the outside of the security door jamb frame, using paintable caulk, and paint to the desired color.

② **White Grease Lubricant (not included)**
Use white grease to lubricate the hinges of your new security door.

Maintenance & Care Instructions

Over time, airborne dust, dirt, and impurities can accumulate, which will cause visual defects to the security door, screen, hinged screen door, patio sliding screen door, window guards, window security screen. If not regularly and properly cleaned, it can lead to surface damage, staining, and corrosion. Your cleaning schedule depends on your environment:

ENVIRONMENT	DESCRIPTION	CLEANING SCHEDULE
Mild	Inland, rural, and away from urban activity	every 6 months
Moderate	Urban/suburban, inland	every 3 months
Extreme	Urban/suburban, coastal (within 25 miles)	every 2-4 weeks

Thoroughly wash the UHD/Titan frame and screen. Use a soft cloth, mild soap, and water. Do not use strong solvent or abrasive based cleaners. Take care to avoid exposing handles, hinges, and lock(s) to excessive amounts of water. After cleaning, use a dry, soft cloth to remove any excess water from these components. Also dry the screen and frame attachment area fully. Avoid using any sharp objects or abrasive materials on the frame or screen. Finally, use white grease to lubricate the hinges at each cleaning. Failure to properly maintain your UHD/Titan product could void the warranty.

For complete warranty details, visit <https://helpmeinstallit.com/warranty-statement> or simply scan the QR code below



Register your product at <https://uniquehd.com/registration/>

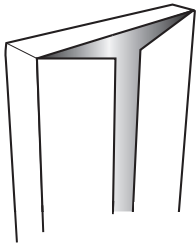
Instalación sobre superficie

INSTRUCCIONES DE INSTALACIÓN DEL KIT DE PUERTA CON DOBLE MALLA DE SEGURIDAD ÚLTIMA



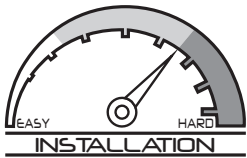
IGNORAR INSTRUCCIONES INCLUIDAS CON LOS PANELES DE LA PUERTA

- Lee todas las instrucciones de instalación del kit antes de la instalación
- La instalación requiere de dos personas
- Usa el equipo de protección apropiado, incluyendo gafas de seguridad
- Mantén los niños alejados del área de trabajo
- Instalar incorrectamente la puerta puede causar lesiones



CONSERVA EL EMPAQUE DURANTE LA INSTALACIÓN

NO deseches los materiales del empaque hasta que la instalación haya terminado.



SE RECOMIENDA UNA INSTALACIÓN PROFESIONAL

Grado de dificultad por encima del promedio. Requiere experiencia en la instalación.



helpmeinstallit.com

¿NECESITAS AYUDA?

CONSULTA EL VIDEO DE INSTALACIÓN

Incluso los instaladores profesionales se benefician al verlo.



1-866-317-8867

support@uhdco.com

CONTÁCTANOS ANTES DE DEVOLVERLO

Servicio al cliente y soporte técnico disponibles.

Lunes - Viernes: De 7:00 am a 5 :00 pm Hora Estándar del Montaña

HERRAMIENTAS RECOMENDADAS



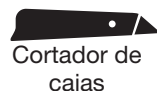
Gafas de seguridad



Cinta de medir



Lápiz



Cortador de cajas



Broca

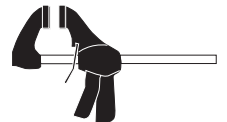
1/8" & 7/16"
tamaño mínimo: 2-3/4"
Broca plana de 1/2"



Taladro



Alicates de punta de aguja



Abrazadera (s)



Destornillador plano y de cabeza Phillips



Plaza



Tijeras de hojalatero



Nivel



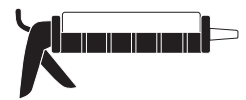
Cinzel de madera de 1/4"



Mazo de goma



Bloques de madera (5.1 cm x 10.2 cm x 15.2 cm)
Cuñas

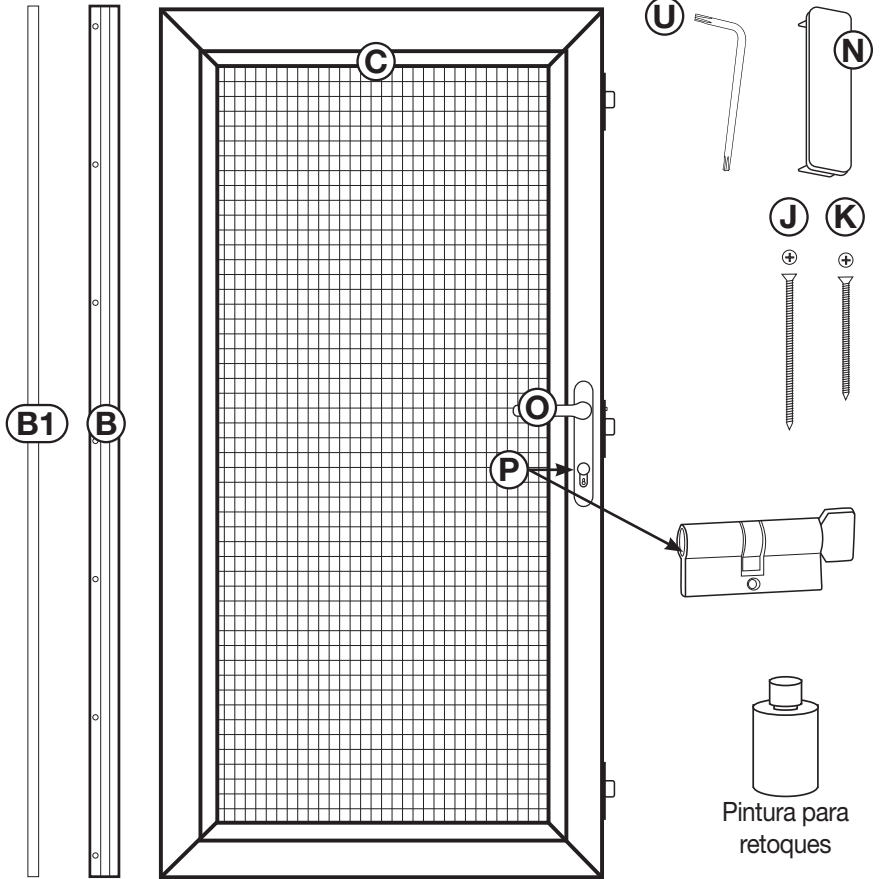
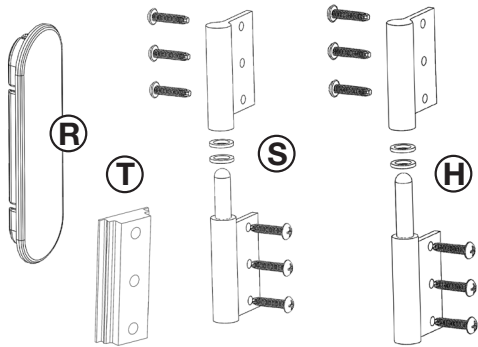


Pistola para pasta selladora y pasta selladora que se puede pintar

CAJAS DE PUERTAS (2)

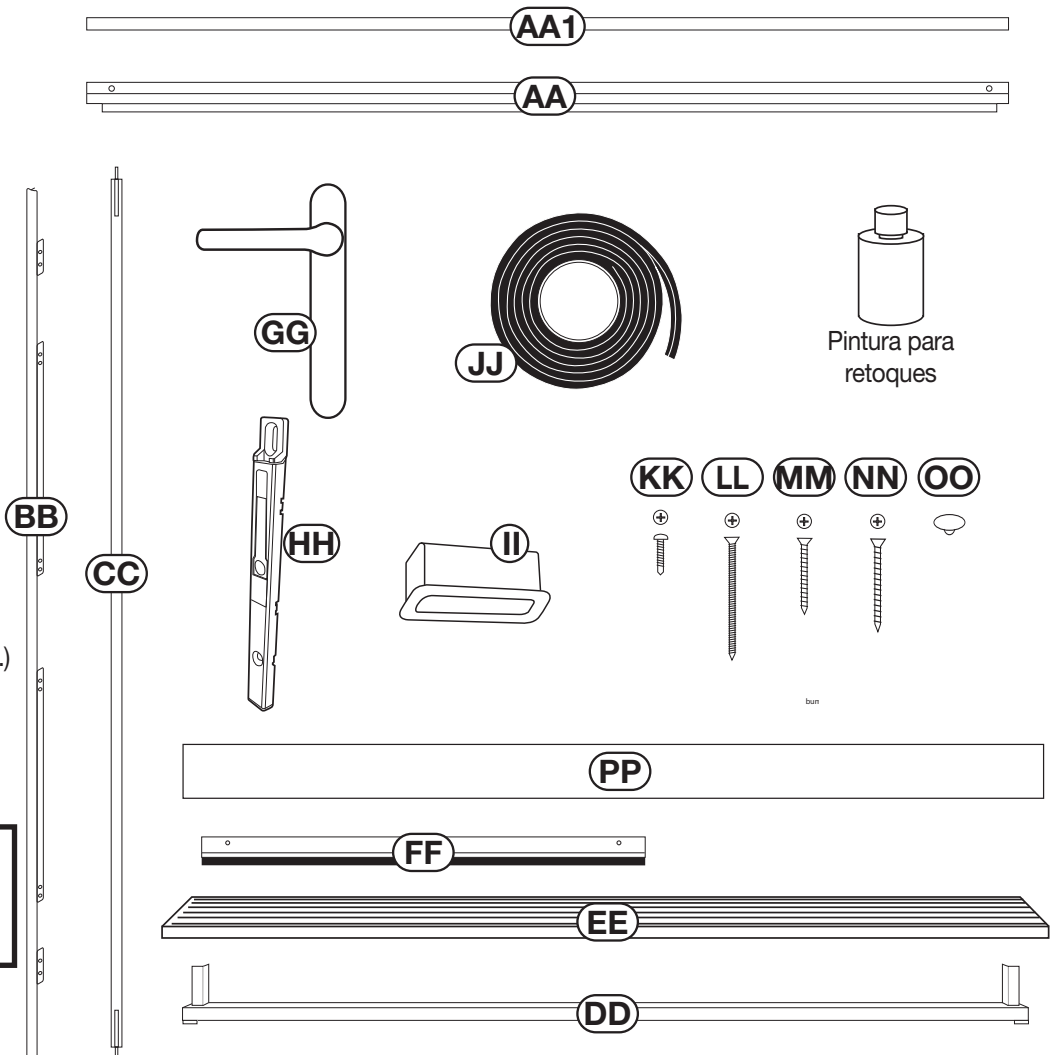
Nota: No todas las piezas de una puerta sencilla se usarán al instalar una doble.

- B) Jambas del lado de las bisagras (2)
- B1) Cubiertas a presión del lado de las bisagras (2)
- C) Puertas con malla de seguridad (2)
- H) Bisagras de pasador largo (4) & sujetadores (12)
- S) Bisagras de pasador corto (4) & sujetadores (12)
- O) Manijas de cierre (2)
- P) Cilindro de cerradura y perno de cabeza plana (1)
- J) Tornillos de cabeza plana núm 10x2-1/2" (24 pcs.)
- K) Tornillos temporales de drywall núm 6x2" (6 pcs)
- N) Tapón de placa para pestillo
- R) Tapón de jamba de bisagra definitivo (6)
- U) llave Torx para pestillo



KIT DE PUERTA DOBLE

- AA) Jamba del travesaño superior
- AA1) Cubierta a presión de la jamba del travesaño superior
- BB) Protector del pestillo
- CC) Astrágalo
- DD) Barra inferior
- EE) Umbral
- FF) Guardapolvos inferiores contra insectos (2)
- GG) Manijas decorativas (2 pc)
- HH) Pestillos con resorte (2)
- II) Receptores de pestillos con resorte (2)
- JJ) Burlate
- KK) Tornillos de cabeza plana biselada núm. 6x5/8" (pintados - 6 pcs., negros - 10 pcs.)
- LL) Tornillos temporales de drywall núm 6x2" (4 piezas)
- MM) Tornillos de cabeza plana núm. 8x1" (painted - 6 pcs., silver - 4 pcs.)
- NN) Tornillo de cabeza plana pintado núm. 8x1" (4)
- OO) Tapones plásticos (6)
- PP) Plantilla del umbral



Cuando se suministra: Pre instalado teclas de esquina en el encabezado superior jamba (2) y tornillos de cabeza plana biselada núm. 6x5/8" (4)

1) Determina y prepara la superficie de montaje

Revisa si hay obstáculos en la entrada

Comprueba si arriba o alrededor de la entrada hay obstáculos que puedan impedir la instalación de la nueva puerta de seguridad o su abertura hacia afuera; obstáculos como:

- Lámparas
- Salientes bajos
- Timbre de puerta
- Árboles, arbustos o plantas colgantes

Determina el tipo y el estado de la superficie de montaje

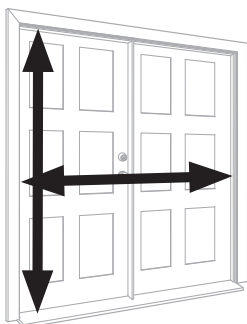
Tu puerta de seguridad necesita una superficie de montaje de al menos 2.5 cm en ambos lados de una esquina del contramarco o jamba superior y en los dos lados de la puerta de entrada. Consulta los diagramas a la derecha y determina cuál se parece más al contramarco de la puerta de entrada donde montarás tu puerta de seguridad.

Mide la abertura

Mide el ancho de abertura entre los bordes de los lados derecho e izquierdo de la superficie de montaje. Mide el alto de abertura entre el borde de la superficie de montaje superior y el umbral existente. Usa la tabla siguiente y esas medidas para garantizar que la puerta de seguridad se ajustará a la abertura.

Tamaño de la puerta de seguridad	Se ajusta a tamaños de aberturas de puertas	
	Ancho (AN)	Altura (AL)
162.6 cm x 203.2 cm	164.1 cm - 166.7 cm	202.56 cm - 205.74 cm
182.9 cm x 203.2 cm	184.5 cm - 187 cm	

Si la abertura determinada no está incluida en el rango de ajuste, puedes verificar si existe otra superficie de montaje en tu entrada que pueda usarse, o puedes construir tu superficie de montaje en forma de expansión usando un tope o moldura, o puedes quitar y reconfigurar tu contramarco para que se ajuste al rango.

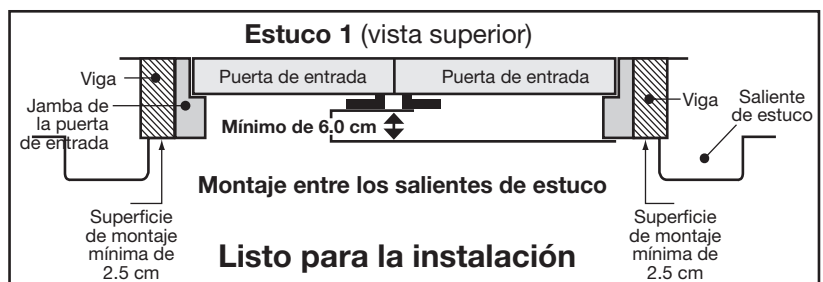
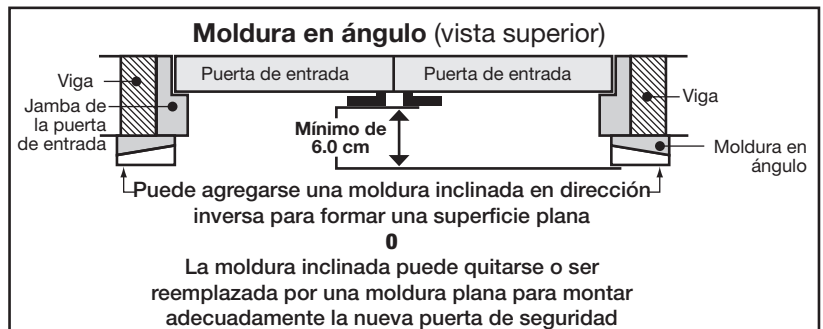
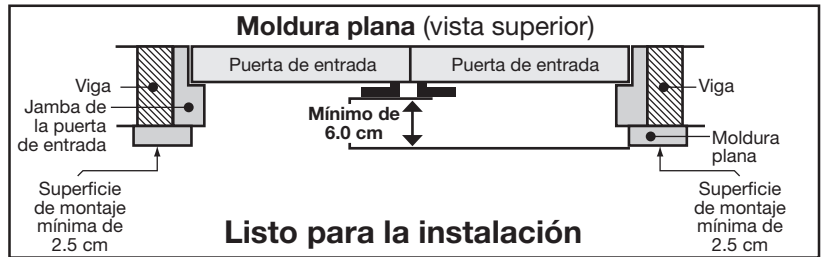
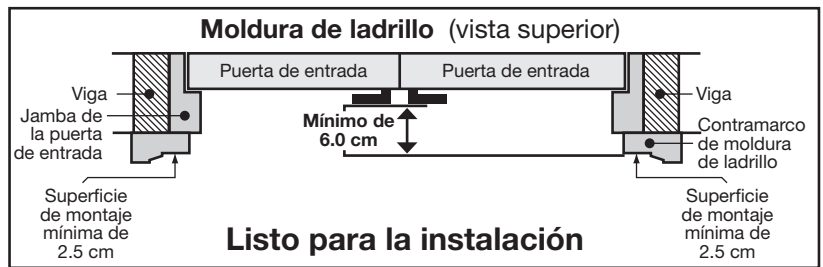
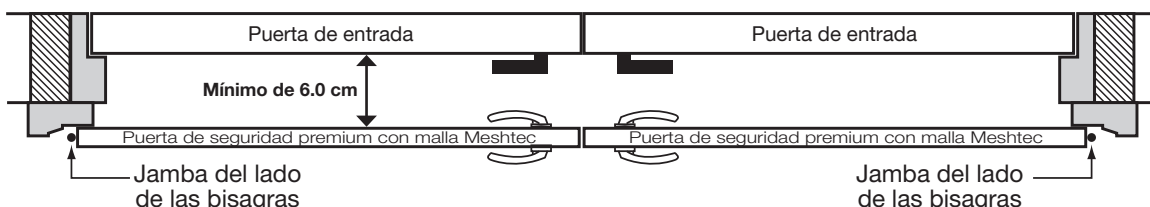


Mide la altura desde el borde interior de la superficie de montaje al umbral existente

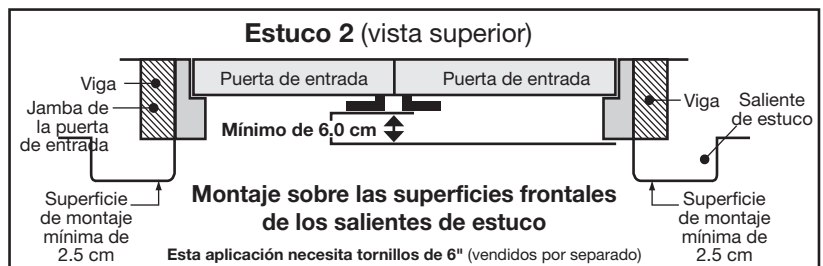
Mide el ancho desde el borde interior de cada superficie de montaje

Verifica que no haya interferencia de los herrajes

Mide la profundidad desde la esquina de tu superficie de montaje hasta los herrajes de la puerta de entrada existente. Si la medida es de 6.0 cm o mayor, no habrá interferencia de los herrajes. Si la medida es menor que 6.0 cm, mide desde el borde de la superficie de montaje en la parte superior de la puerta hasta el borde superior e inferior de la parte de los herrajes existentes que penetra en el espacio de 6.0 cm. Si alguna de estas dos medidas está entre 0.997 m y 1.098 m, habrá interferencia entre la puerta de seguridad y los herrajes existentes. Puedes expandir la superficie de montaje para crear el espacio necesario o puedes montar la puerta de seguridad de forma tal que abra hacia el lado contrario a la puerta de entrada principal.



PRECAUCIÓN: ¡Verifica bien que no haya interferencia de los herrajes!



2 Determina la configuración de tu umbral

Observa el umbral de tu puerta de entrada actual y usa los diagramas más abajo para determinar cuál es el umbral adecuado para tu entrada. Esto determinará si necesitarás o no instalar una barra inferior en tu puerta de seguridad.

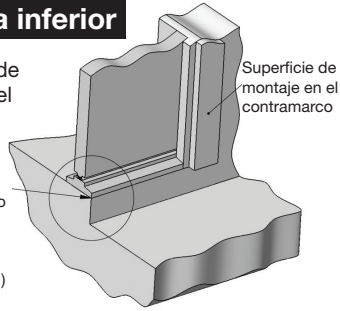
Requiere la barra inferior



No hay espacio en la superficie de concreto para montar la placa del umbral.

El umbral está cerca del borde del cemento

Descanso exterior (entrada, patio, etc.)



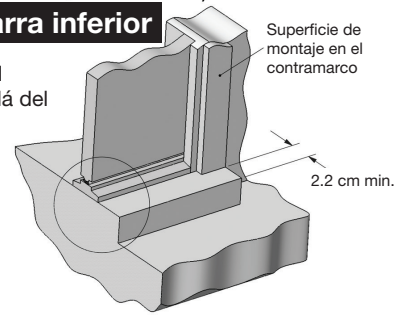
NO requiere la barra inferior



El concreto sobresale al menos 22.2 mm más allá del contramarco.

Superficie de montaje en el contramarco

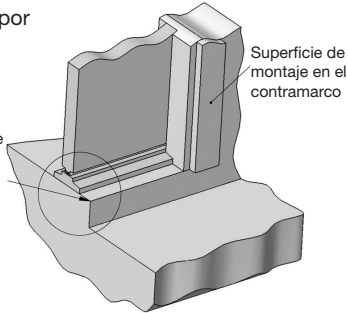
2.2 cm min.



El concreto y el umbral están por detrás del contramarco.

El cemento forma un saliente en frente del umbral pero no sobresale más allá de la superficie de montaje del contramarco

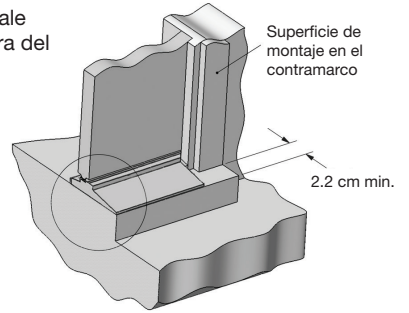
Superficie de montaje en el contramarco



El umbral actual sobresale 22.2 mm o más por fuera del contramarco.

Superficie de montaje en el contramarco

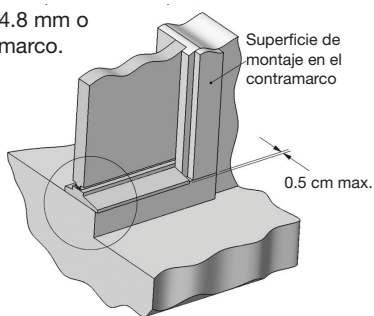
2.2 cm min.



El umbral actual sobresale 4.8 mm o menos, más allá del contramarco.

Superficie de montaje en el contramarco

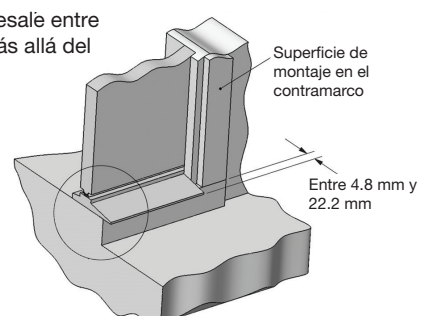
0.5 cm max.



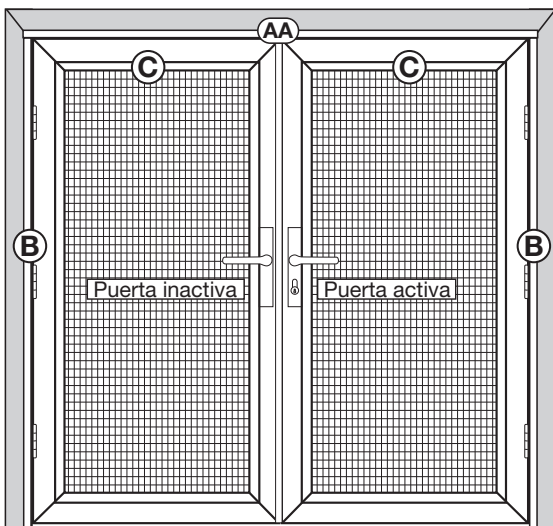
El umbral actual sobresale entre 4.8 mm y 22.2 mm más allá del contramarco.

Superficie de montaje en el contramarco

Entre 4.8 mm y 22.2 mm

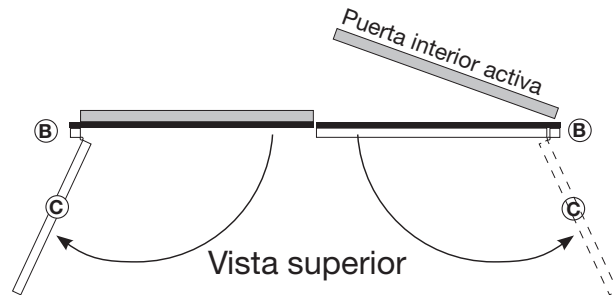


3 Determina las puertas activas e inactivas



La **puerta activa** debe estar en el mismo lado de la puerta principal activa. Ambas puertas de seguridad funcionarán. La puerta inactiva permanecerá inmovilizada por pestillos con resorte (HH) en la parte superior e inferior de la puerta. Los pestillos con resorte pueden retirarse para abrir la puerta inactiva.

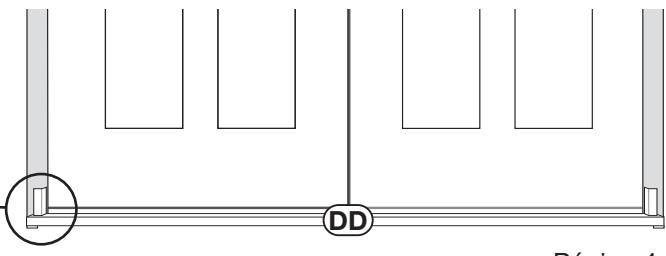
Determine la apertura de la puerta. Una vez determinada, coloque las jambas de las bisagras (B) y el dintel (AA) alrededor del panel de la puerta (C) en el suelo y simule las bisagras (H y S) en sus posiciones. Es fácil voltear la puerta por error durante la instalación, así que asegúrese de marcarla una vez que haya hecho la maqueta para asegurar la orientación correcta.



4 Instala la barra inferior si es necesario

Si es necesario usar la barra inferior (DD), debe instalarse de 3.2 a 6.4 mm por debajo de la entrada actual para dejar una inclinación con respecto al umbral. Ello permite drenar la humedad lejos de la puerta.

Centra la barra inferior en la abertura de la puerta asegurándote de que la abertura del soporte quede frente a la casa.

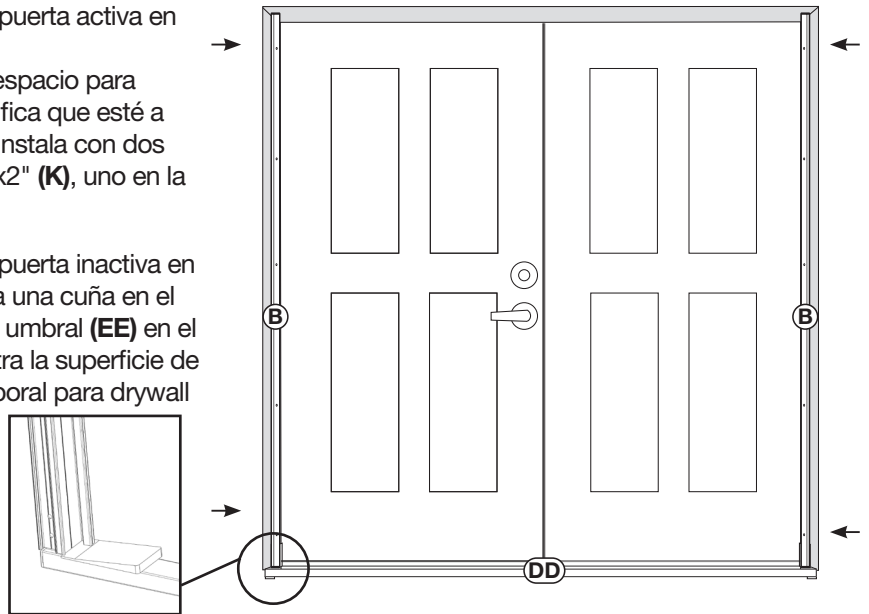


5 Instala las jambas laterales (Si el cabezal superior está equipado con llaves de esquina, salte al paso 5b-6b)

Coloca la jamba (B) del lado de las bisagras de la puerta activa en su sitio sobre la barra inferior (DD) mientras coloca una cuña en el medio para dejar espacio para insertar la placa de umbral (EE) en el paso 21. Verifica que esté a plomo y nivelada contra la superficie de montaje. Instala con dos tornillos de montaje temporal para drywall núm. 6x2" (K), uno en la parte superior y otro en la inferior.

Coloca la jamba (A) del lado de las bisagras de la puerta inactiva en su sitio sobre la barra inferior (DD) mientras coloca una cuña en el medio para dejar espacio para insertar la placa de umbral (EE) en el paso 21. Verifica que esté a plomo y nivelada contra la superficie de montaje. Instala con dos tornillos de montaje temporal para drywall núm. 6x2" (K), uno en la parte superior y otro en la inferior.

Estos tornillos se usan para sujetar temporalmente la jamba en su sitio. **NO instales tornillos permanentes.**

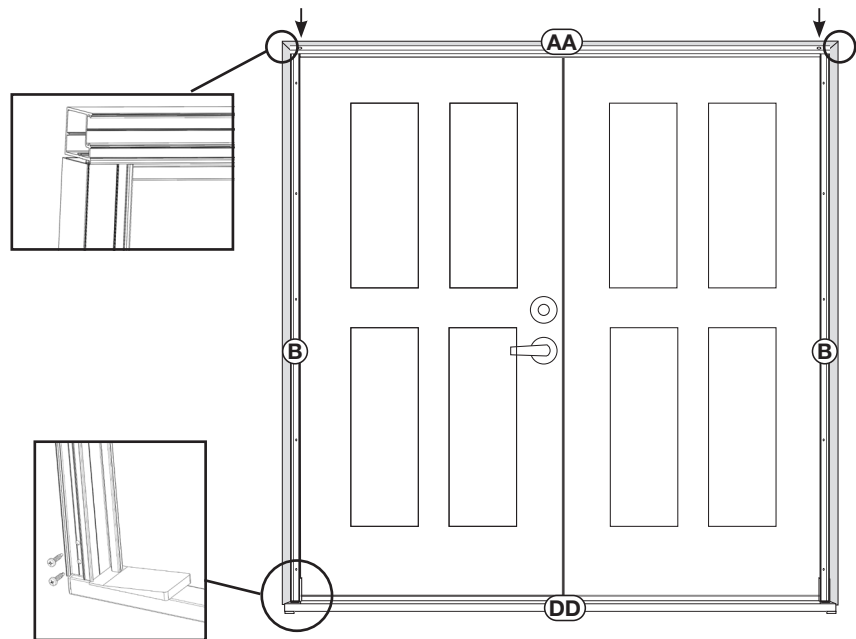


6 Instala la jamba del travesaño superior y fija la barra inferior

Coloca la jamba del travesaño superior (AA) en posición sin las tapas de los extremos instaladas, alinéala para que quede al ras en ambos extremos con cada jamba (B) del lado de las bisagras. Si es necesario, afloja el/los tornillo/s temporal/es superior/es de la/s jamba/s lateral/es (B) para hacer que la jamba del travesaño superior quede al ras. Usa dos tornillos de montaje temporal para drywall núm. 6x2" (K) para fijar la jamba del travesaño superior, uno en la derecha y otro en la izquierda. Verifica nuevamente que las jambas laterales estén a plomo y niveladas y ajusta si es necesario.

Estos tornillos se usan para sujetar temporalmente la jamba en su sitio. **NO instales tornillos permanentes.**

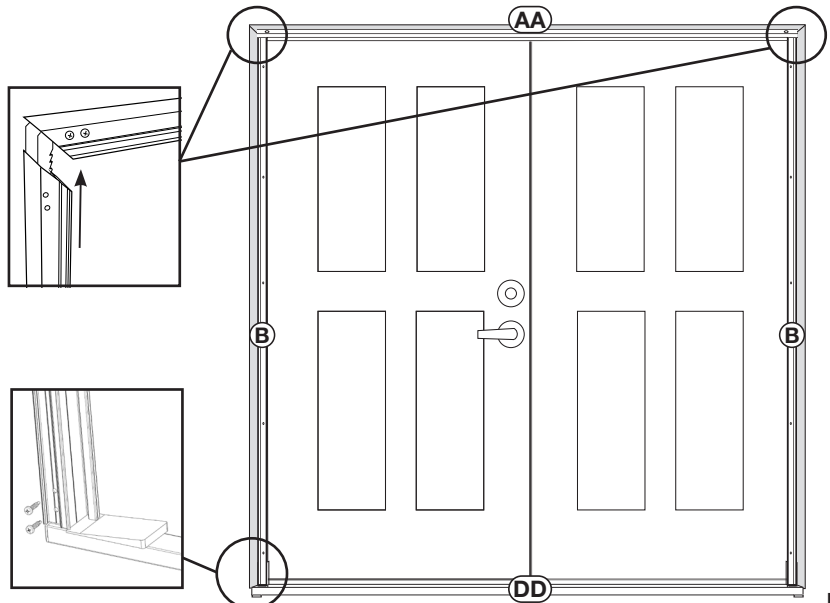
Adjuntar la barra inferior con dos tornillos negros de cabeza plana biselada núm. 6x5/8" (KK) como se muestra.



5b-6b Solo siga los pasos 5b y 6b si está equipado con llaves de esquina

5b) Asegure las jambas de bisagra (B) al dintel superior (AA) para crear un marco de una pieza usando las llaves de esquina preinstaladas en la jamba del dintel y los cuatro tornillos núm. 6x5/8" provistos. Taladre previamente cada chaveta de esquina a través de los orificios de cada jamba lateral con una broca de 7/16" de 3/4" de profundidad y luego apriete la llave de esquina con los tornillos núm. 6x5/8" proporcionados. Levante el marco ensamblado y apoye las jambas laterales a la altura correcta y ajuste el nivel y la plomada, asegurando el conjunto alrededor con seis tornillos temporales para paneles de yeso núm. 6x2" (K), dos a través de cada jamba de bisagra y dos a través de la barra superior.

6b) Coloca una cuña entre la barra inferior y el marco. Fije la barra inferior (DD) con dos tornillos negros de cabeza plana núm. 6x5/8" (KK) como se muestra.

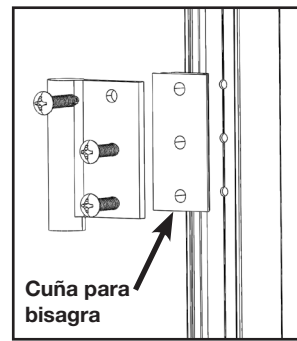
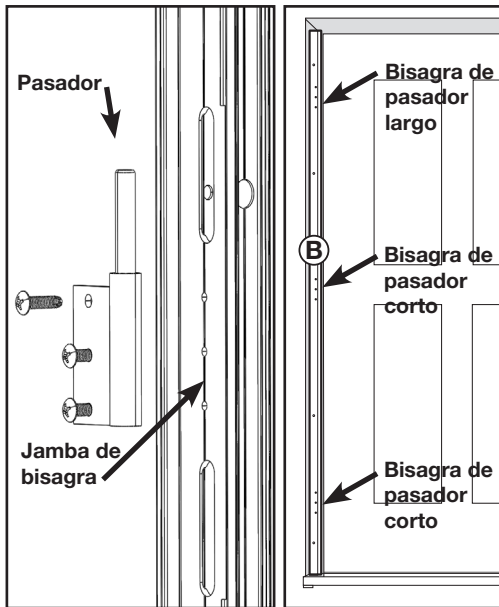


7 Asegure las bisagras a las puertas y a las jambas laterales de las bisagras

Separa las hojas de las bisagras y mantén las arandelas incluidas con cada bisagra, déjalas a un lado por el momento.

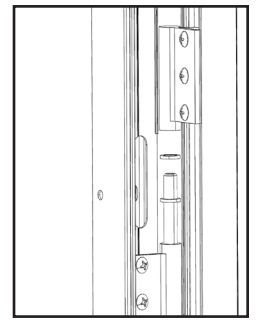
Con los pasadores hacia arriba, fija el lado del pasador de las bisagras a la jamba de lado de las bisagras (B) y fíjalas con tres tornillos #8-32 x 3/4".

Hoja de bisagra de pasador largo (H) en la parte superior y hojas de pasador corto (S) en las posiciones central e inferior.



Coloca la cuña de bisagra (T) en el marco de la puerta sobre los orificios de montaje

Fija las hojas de la bisagra sin pasadores a la puerta, sobre las cuñas de la bisagra (T) con la abertura mirando hacia la parte inferior de la puerta, usando tres tornillos #8-32 x 3/4" cada uno.

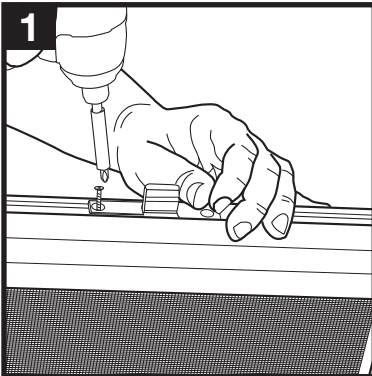


Coloca dos arandelas de nuevo en el lado con pasadores de cada bisagra

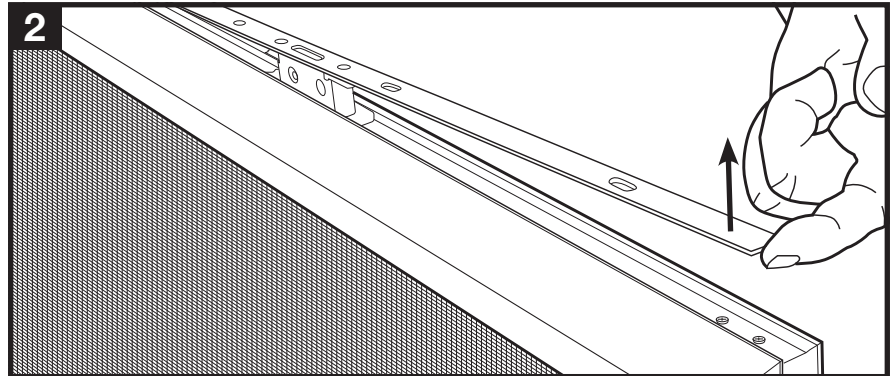
Repita para el panel de puerta inactivo

PRECAUCIÓN: NO coloques la puerta activa sobre su lado descansando sobre los cerrojos de la cerradura de 3 puntos.

8 Prepara la puerta inactiva

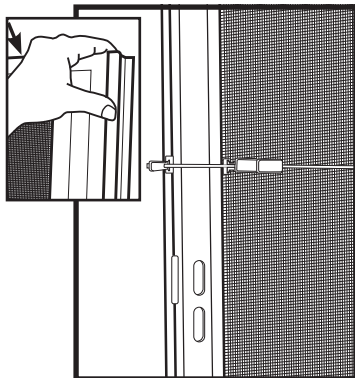


1 Quita los tornillos de montaje en las tres cerraduras de la puerta inactiva.

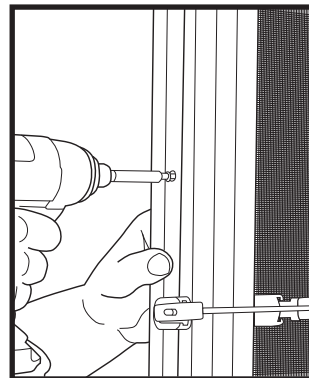


2 Levanta el mecanismo de una pieza y sácalo del borde de la puerta. Ponlo a un lado.

9 Instala el astrágalo en la puerta inactiva

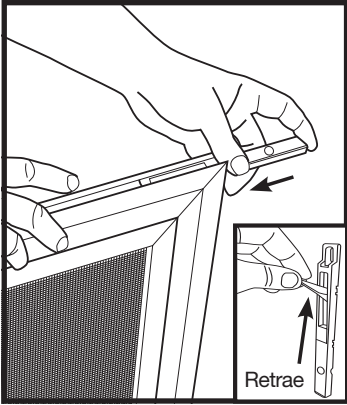


Coloca el astrágalo (CC) en la puerta inactiva de forma tal que el borde superior esté nivelado con el borde superior del panel de la puerta. Fíjalo en su lugar.

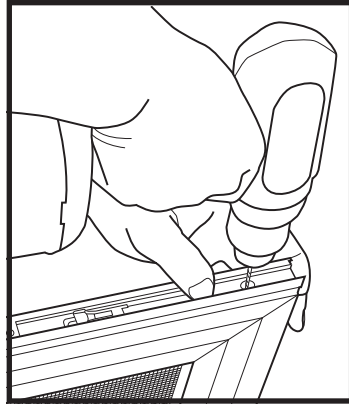


Fija el astrágalo (CC) a la puerta inactiva con tornillos de cabeza plana núm. 8x1-1/2" (NN).

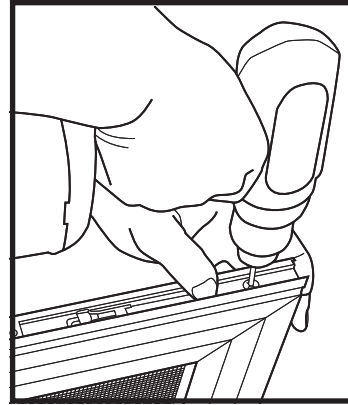
10 Instala el pestillo con resorte superior en el astrágalo



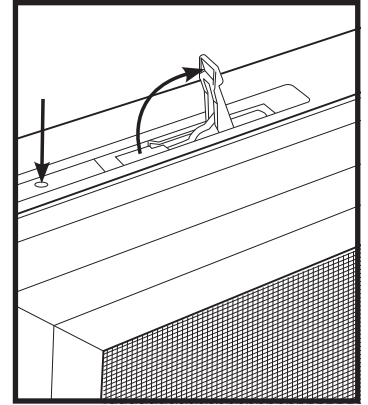
Retrae el pestillo con resorte **(HH)** con la palanca indicada por el punto rojo. Con el panel de la puerta descansando sobre el lado de las bisagras, desliza el pestillo con resorte en la parte superior del astrágalo de forma tal que esté al ras con el borde superior del astrágalo **(CC)**.



Fija en el orificio de montaje superior expuesto en el astrágalo **(CC)** usando un tornillo de cabeza plana plateado núm. 8x1" **(MM)**.

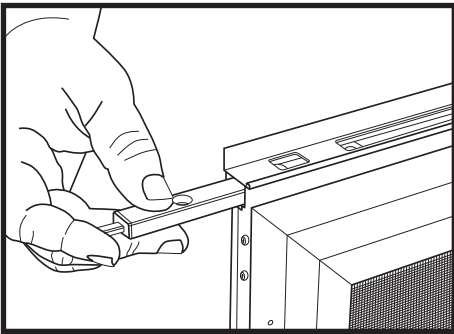


Instala el tornillo superior (tornillo de cabeza plana núm. 8x1" **(MM)**).

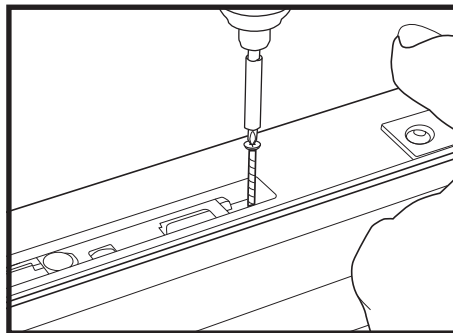


Despliega la palanca del pestillo con resorte para exponer el orificio de montaje inferior. Usa una broca de 7/64" para pretaladrar el orificio de montaje inferior. Termina de fijar el pestillo con resorte **(HH)** al astrágalo **(CC)** con un tornillo de cabeza plana núm. 8x1" **(MM)**.

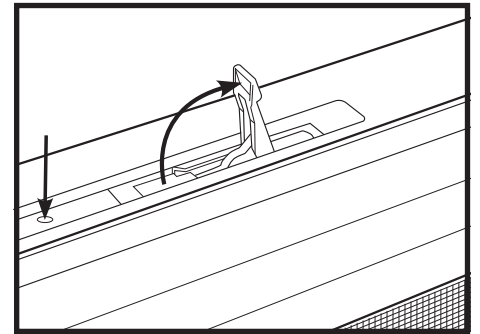
11 Instala el pestillo con resorte inferior en el astrágalo



Desliza el pestillo con resorte **(II)** dentro del astrágalo **(CC)** en la parte inferior de la puerta inactiva. Retrae el pestillo con resorte halando la palanca; coloca el pestillo con resorte al ras con la parte inferior del astrágalo.

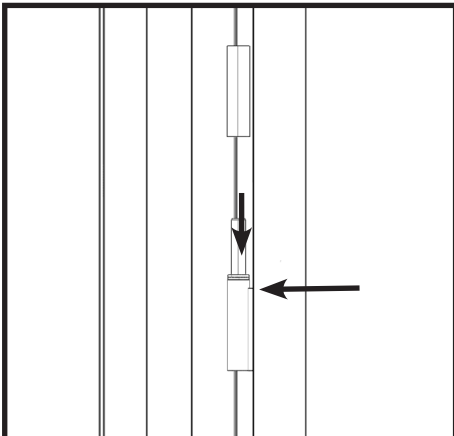


Fija en el orificio de montaje superior expuesto en el pestillo con resorte **(HH)** usando un tornillo de cabeza plana plateado núm. 8x1" **(MM)**.

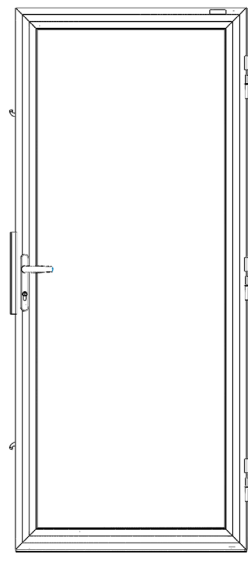


Despliega la palanca del pestillo con resorte para exponer el orificio de montaje inferior. Termina de fijar el pestillo con resorte **(II)** con un tornillo de cabeza plana núm. 8x1" **(MM)**.

12 Cuelga los paneles de la puerta



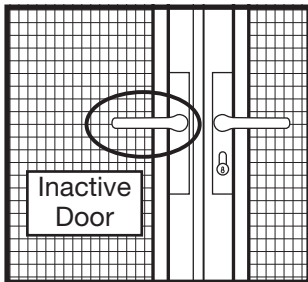
Antes de colgar las puertas, asegúrese de que cada bisagra tenga dos arandelas insertadas en el pasador. Coloque el cilindro superior de la bisagra de la puerta sobre el pasador largo en la parte superior de la jamba.



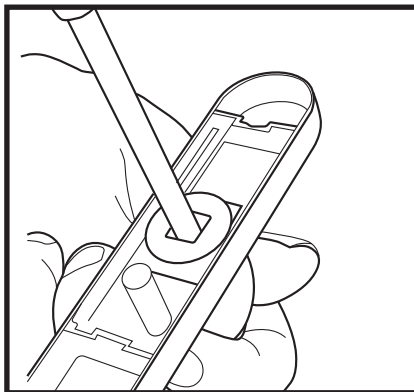
Alinee los dos cilindros de las bisagras inferiores sobre los pasadores de las bisagras central e inferior y deslice la puerta hacia abajo.

Repita este paso para colgar el panel de la puerta inactivo.

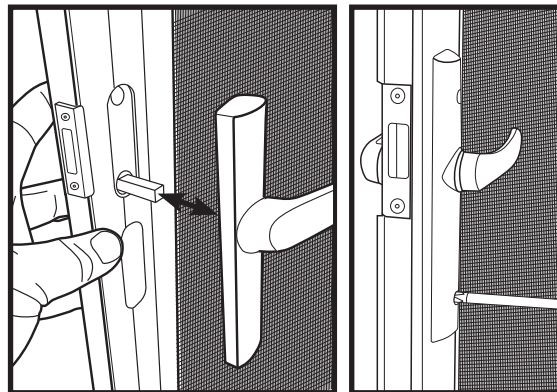
13 Instalar manija ficticia de puerta inactiva



Asegúrate de orientar las manijas en la dirección deseada, dependiendo de la ubicación de la puerta inactiva, a la derecha o a la izquierda.



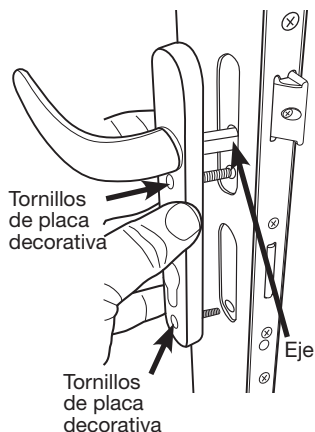
Con un destornillador Phillips afloja el tornillo dentro de la manija, gira esta en la dirección deseada y vuelve a apretar el tornillo para fijar la manija en su lugar.



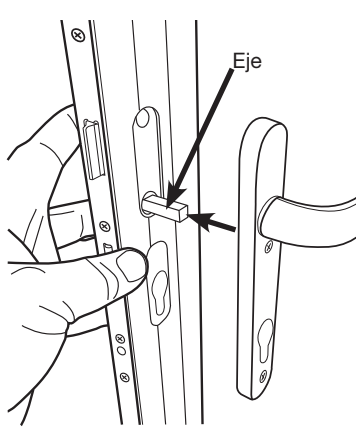
Inserta la manija decorativa (GG) con eje a través del interior de la puerta activa hasta dentro de la manija decorativa del lado opuesto. Fija las manijas con dos pernos de rosca fina de 1" incluidos con el juego de manijas. Deja cada tornillo medio giro flojo. Se apretarán en el paso 14.

14 Instala la manija y la cerradura de la puerta activa

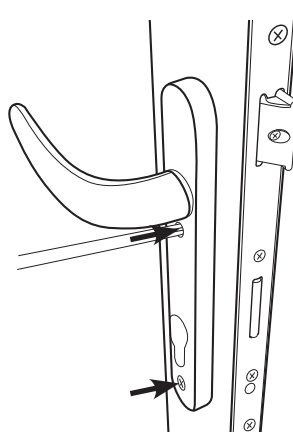
1) Comienza desde la parte **interior** de la puerta. Con la manija (O) de frente a la malla, inserta el eje y los tornillos de montaje a través del mecanismo de mortaja en el panel de la puerta.



2) Muévelo hacia el exterior de la puerta activa. Con la manija de frente a las bisagras del panel de la puerta activa, alinea las aberturas en el interior de la otra manija (D) con el eje y los dos tornillos de montaje, y coloca la manija contra el marco de la puerta.



3) Mientras mantienes en su lugar ambas placas decorativas de la manija, aprieta los tornillos de montaje y luego afloja 2 vueltas. Estos tornillos te apretarán después de que se instale el cilindro de la cerradura.



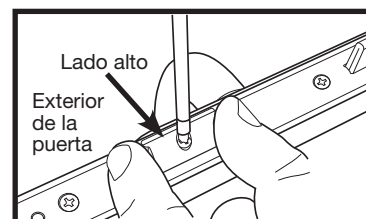
4) Desde la **parte interior** de la puerta, inserta el cilindro de la cerradura (P) en la puerta a través de la placa decorativa. Con un destornillador de cabeza Phillips, aprieta el tornillo de retención hasta que quede ajustado. **NO** aprietes demasiado. Aprieta los dos tornillos de montaje de la manija hasta que estén ajustados.



Para duplicar llaves o cambiar la combinación, el cilindro de cerradura incluido usa una entrada Kwikset®. Kwikset® es una marca comercial registrada de Newfry LLC.

15 Voltea el pestillo central (si es necesario)

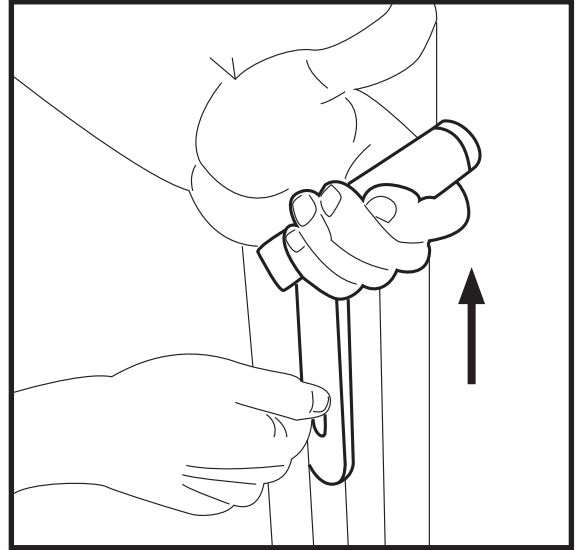
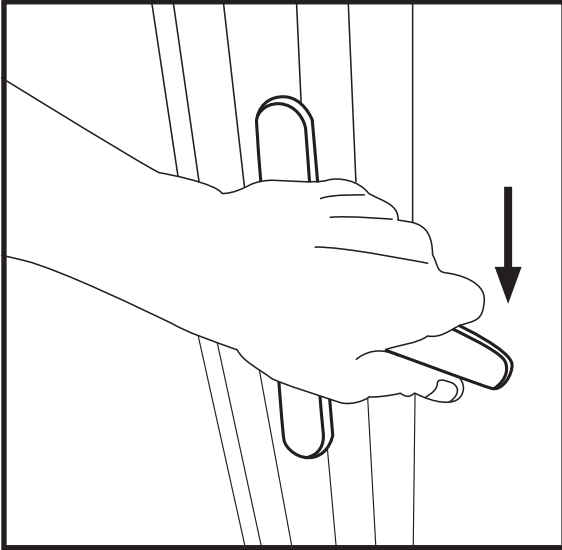
Dependiendo de si la puerta activa está situada a la derecha o a la izquierda, es posible que deba invertir la posición del pestillo central. Utilizando la llave Torx para el pestillo suministrada (U) o un destornillador Torx T10, afloja (sin extraerlo) el tornillo lo suficiente para levantar el pestillo y gírelo en sentido horario para invertir su posición. Vuelva a introducir el pestillo en su ranura y manténgalo presionado mientras aprieta el tornillo. Guarde la llave para uso futuro, por si fuera necesario volver a apretar el pestillo.



Nota: la parte más alta del pestillo debe quedar orientada hacia el exterior de la puerta. Vuelva a apretar el tornillo.

16 Verifica el mecanismo de cierre

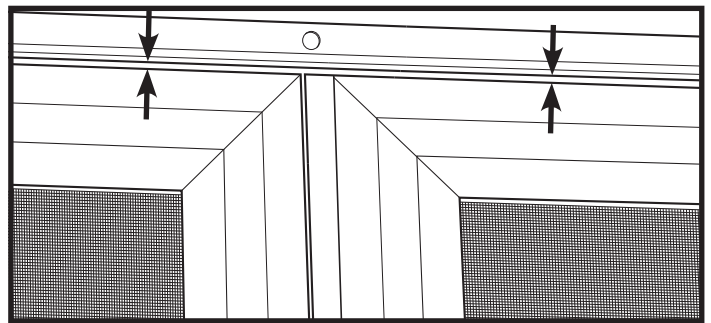
Verifica que el mecanismo de cierre abre, cierra y queda bien seguro. Para probarlo, hala hacia abajo la manija y abre la puerta. Hala hacia arriba la manija para enganchar el mecanismo de cierre de 3 puntos y enseguida gira el cerrojo tipo mariposa en el interior de la puerta hacia la derecha, o gira la llave hacia la izquierda para cerrar.



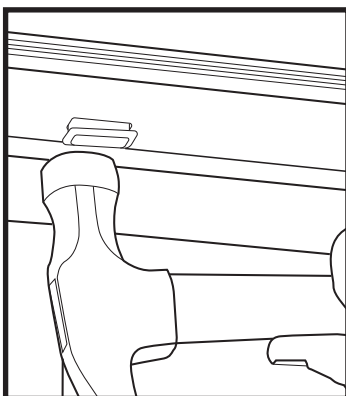
17 Ajusta y alinea el espacio de reborde superior

Cierra ambas puertas, la activa y la inactiva. Ambas puertas deben alinearse en la parte superior con un espacio de reborde nivelado. Si no se requiere ajustar, afloja (**SIN** quitar) los tornillos temporales superiores de las jambas laterales. Usa un mazo de goma para dar unos golpes en la jamba lateral izquierda o derecha para alinear las puertas.

Vuelve a ajustar los tornillos temporales.

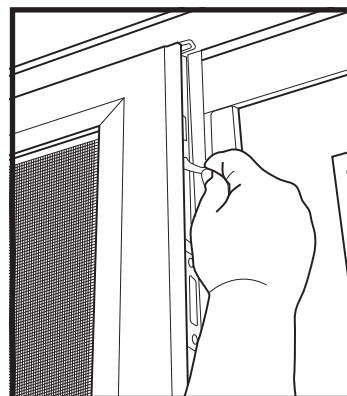


18 Instala el receptor del pestillo con resorte superior



Instala el receptor (**II**) del pestillo con resorte superior dentro de la jamba del travesaño superior (**AA**). Con un martillo o mazo de goma, golpea suavemente el receptor del pestillo con resorte para introducirlo en el orificio cortado previamente en la jamba del travesaño superior hasta que esté al ras.

Nota: Si hay interferencia con el marco de puerta existente, usa una broca plana de 1/2" para rebajar el área.



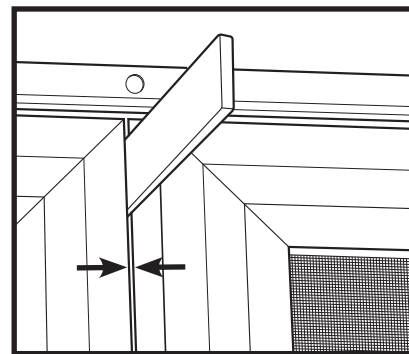
Cierra la puerta inactiva y despliega el pestillo con resorte (**HH**) para comprobar que ajuste bien.

19 Ajusta y alinea el espacio de reborde central

Cierra ambas puertas (**C**), la activa y la inactiva. Ambas puertas deben alinearse en la parte inferior central con un espacio de reborde nivelado de 3.2 mm. Si no se requiere ajustar, afloja (**SIN** quitar) los tornillos de montaje temporales de la jamba correspondientes. Usa un mazo de goma para dar unos golpes en la jamba lateral izquierda o derecha (**B**) para alinear las puertas y para que el espacio de reborde esté nivelado. Consejo: Coloca una cuña entre las puertas para mantener el espacio de reborde mientras haces los ajustes. Vuelve a ajustar los tornillos temporales mientras haces los ajustes.

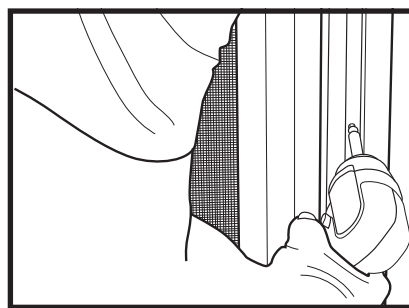
Verifica nuevamente que esté a plomo. Si es necesario, afloja un poco los tornillos temporales y coloca una o varias cuñas entre el marco de la puerta de seguridad y la casa. Vuelve a ajustar los tornillos temporales.

NOTA: Las puertas pueden tener una forma de reloj de arena que ocurre durante el tensado de la pantalla. Puede parecer que el centro de las puertas tiene un espacio más grande en el centro donde se cierra la puerta. Si las puertas se enganchan correctamente, la instalación se realiza correctamente y la protección del enganche cubrirá la apertura desigual.

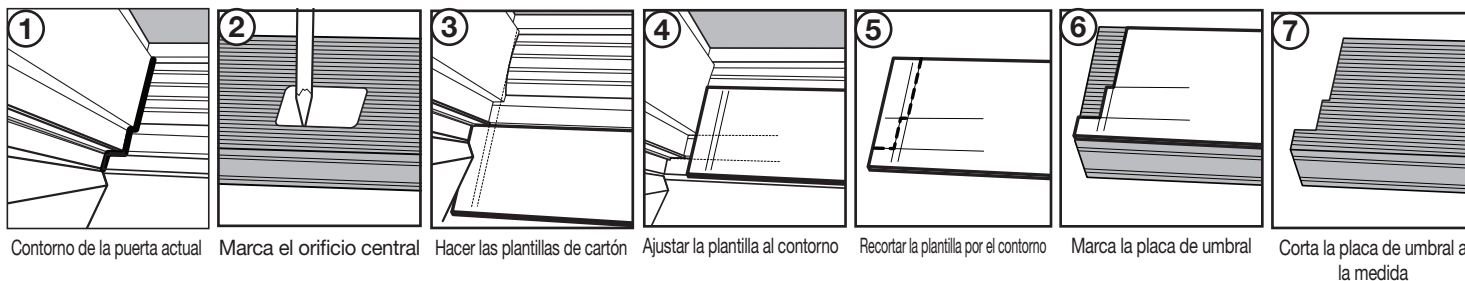


20 Instala los tornillos de montaje permanentes

Pretaladra a través de los orificios de montaje sin tornillos temporales con una broca de 1/8". Instala tornillos permanentes (tornillos de cabeza plana autorroscantes núm. 10x2-1/2" (**J**)) dentro de los orificios de montaje. Quita los tornillos temporales uno a uno, y reemplázalos por los tornillos permanentes (tornillos de cabeza plana autorroscantes núm. 10x2-1/2" (**J**)).



21 Instala la placa del umbral

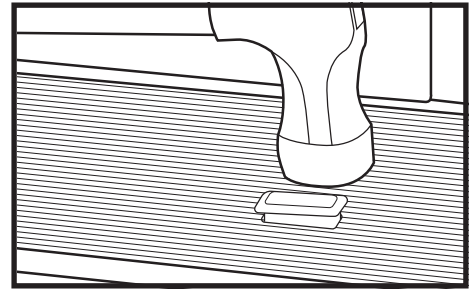


- 1 El contorno de los marcos de las puertas varía, por lo tanto es necesario recortar el umbral (**EE**) a la medida. Recomendamos recortar primero una plantilla de cartón a la medida de la abertura para evitar recortar el umbral incorrectamente.
- 2 Coloca la plantilla del umbral (**PP**) debajo de la placa del umbral al ras en ambos extremos. Marca el rectángulo pre-perforado en el centro y recorta el orificio.
- 3 Coloca la plantilla de cartón incluida (**PP**) arriba de la barra inferior y presiona para encajarla en el umbral actual hasta donde sea posible. Alinea el orificio en el centro de la plantilla con la parte superior del pestillo con resorte y encéntrala. Con un borde recto, marca en la plantilla los diferentes anchos de la moldura y contramarco existentes en ambos extremos.
- 4 Mueve la plantilla hasta que el borde frontal esté al ras con el borde frontal de la barra inferior (se puede doblar la plantilla para ajustar al ancho más corto entre la moldura y el contramarco). Marca en las esquinas de tu moldura existente teniendo en cuenta que el receptor (**II**) del pestillo con resorte esté en el centro de la abertura por lo que la plantilla debe estar alineada adecuadamente, luego recorta.
- 5 Con un cuchillo para cartón, recorta la plantilla siguiendo el contorno y las marcas de las molduras y contramarcos. Prueba si la plantilla encaja correctamente. (Debe quedar apoyada sobre la barra inferior con el borde frontal al ras con el de la barra inferior y ajustada a las esquinas de las molduras y contramarco existentes).
- 6 Después de crear una plantilla apropiada, úsala para marcar la placa de umbral.
- 7 Con tijeras de hojalatero/tijeras de aviación, corta la placa de umbral según la forma de la plantilla (**6**). Coloca la placa de umbral extendida a lo largo de la barra inferior y dentro del umbral existente. Fija la placa correspondiente (**EE**) al umbral con los tornillos de cabeza plana biselada negros núm. 6x5/8" (**KK**).

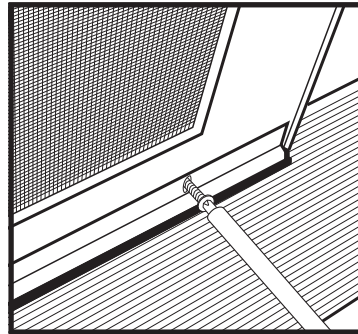
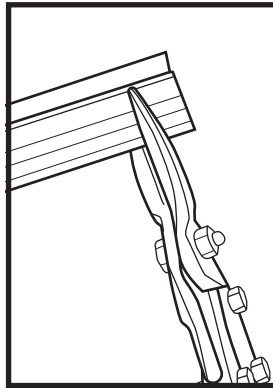
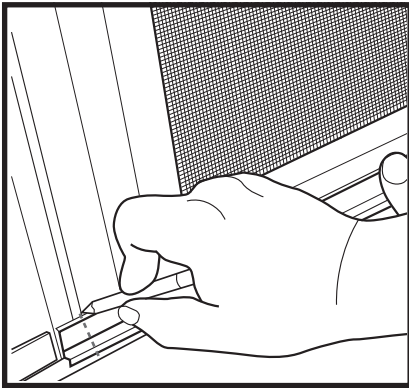
22 Instala el receptor del pestillo con resorte inferior

Instala el receptor **(II)** del pestillo con resorte inferior dentro del umbral **(EE)**. Con un martillo o mazo de goma, golpea suavemente el receptor del pestillo con resorte para introducirlo en el orificio cortado previamente en el umbral hasta que esté al ras.

Cierra la puerta inactiva y despliega el pestillo con resorte **(HH)** para comprobar que ajuste bien.



23 Instala los guardapolvos inferiores contra insectos



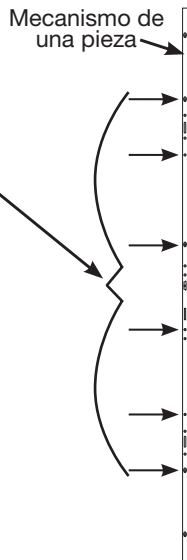
Coloca el guardapolvo inferior contra insectos **(FF)** en la puerta activa en el exterior y ajusta hacia arriba o abajo hasta que la parte inferior del guardapolvo descansa sobre el umbral. Fijar el error de barrido con los tornillos suministrados. Repite

el proceso, sin recortar, para el guardapolvo inferiores contra insectos con tornillos blancos de cabeza plana biselada núm. 6x5/8" **(KK)**. Para completar ve a la parte interior de las puertas e instala tapones plásticos **(OO)** en los orificios abiertos opuestos a los tornillos de fijación de los guardapolvos inferiores contra insectos.

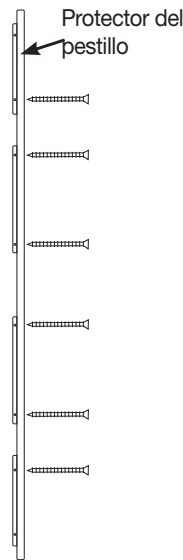
Con ambas puertas cerradas, coloca un guardapolvos inferior contra insectos **(FF)** en la parte exterior de la puerta activa contra la jamba del lado de las bisagras. Marca donde la puerta activa se encuentra con el borde del astrágalo instalado en la puerta inactiva y recorta usando tijeras para hojalata.

24 Instala el protector del pestillo

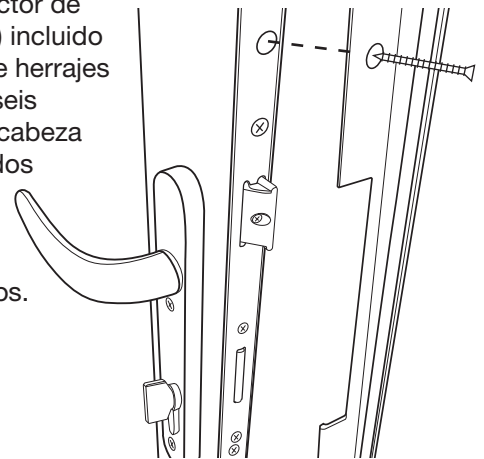
1. Quita los tornillos del mecanismo de una pieza.



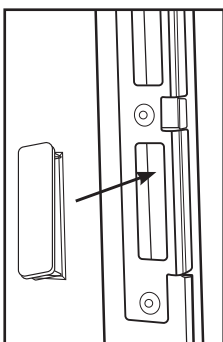
2. Sostén o fija el protector del pestillo en su lugar, nivelado con la parte superior de la puerta activa y alineado con los orificios de montaje pretaladrados en el panel de la puerta **(C)**.



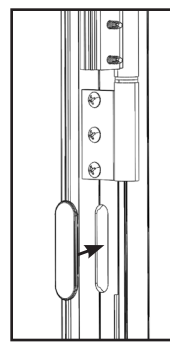
3. Fija el protector de pestillo **(BB)** incluido en la caja de herrajes insertando seis tornillos de cabeza plana pintados núm. 8x1" **(MM)** en los orificios pretaladrados.



25 Instala el tapón de placa del pestillo y los tapones de la jamba de la bisagra Ultimate

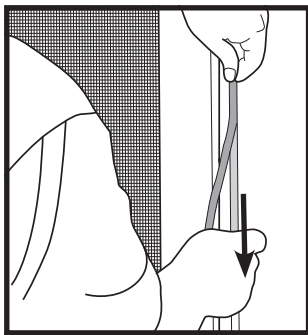


Tapón de placa del pestillo
Instala el tapón del pestillo **(N)** en la ranura inferior sin usar.



Tapón de jamba de bisagra Ultimate
Instala tapones de jamba de bisagra **(R)** en las ranuras inferiores de la jamba de bisagra **(B)** en cada bisagra.

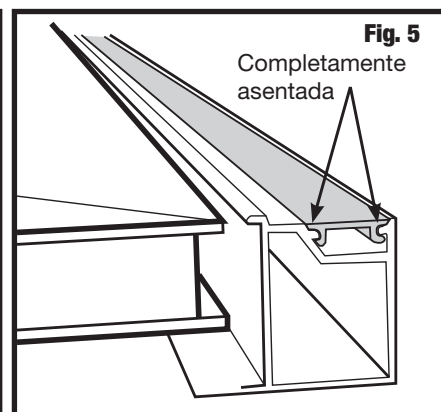
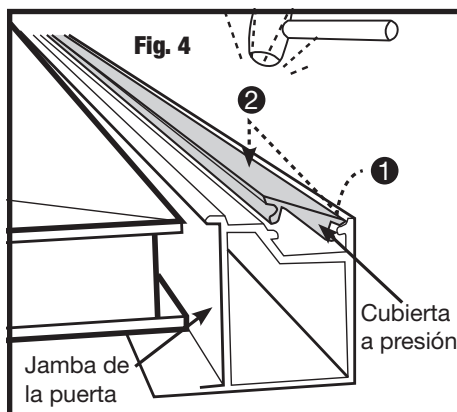
26 Instala el burlete del astrágalo



Instala el burlete (JJ) a la longitud máxima de la pata de tope del astrágalo (CC) (donde la puerta activa se cierra contra el astrágalo). Comienza en la parte superior, quita aproximadamente 15.2 cm del respaldo protector de una vez y adhiérela al astrágalo. Con cuidado y despacio, continúa hacia abajo hasta cubrir la longitud total de la puerta. Recorta en la parte inferior si es necesario.

27 Instala las cubiertas a presión

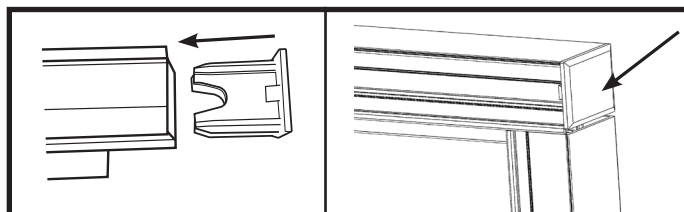
Coloca la cubierta a presión (B1) en la primera jamba del lado de las bisagras (Fig. 4, paso 1). Con un mazo de goma, golpea en el lado de la cubierta a presión como se muestra en la (Fig. 5) para colocar adecuadamente la cubierta a presión en su sitio. Una vez que la cubierta a presión esté asegurada, coloca un bloque de madera sobre el largo de la cubierta a presión y golpea con el mazo para emparejar cualquier irregularidad de la superficie de la cubierta a presión. Repite el proceso para las segundas cubiertas a presión (B1) de la jamba del lado de las bisagras y del travesaño superior (AA1).



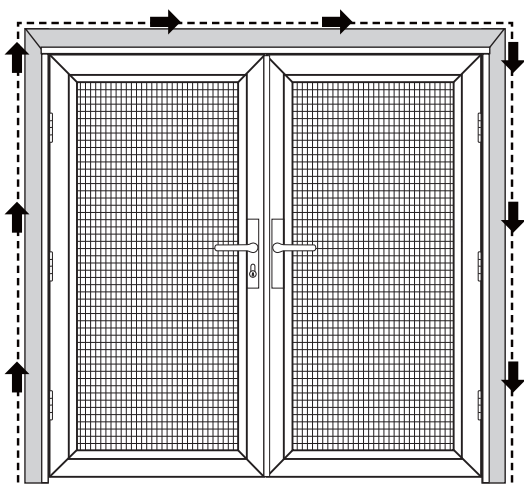
28 Instalar tapas finales

Con un destornillador de cabeza plana, retire con cuidado dos de las tapas de los extremos de las jambas de las puertas individuales. Inserte las tapas en los extremos del marco de la puerta doble (AA) y golpee suavemente cada tapa con un martillo o un mazo de goma.

Este paso no se aplica a las puertas que tienen llaves en las esquinas.



Sugerencias de retoques finales



① **Pasta selladora (no se incluye)**
Aplica pasta selladora para pintar en el exterior del marco de la jamba de la puerta de seguridad y pinta del color deseado.

② **Lubricante de grasa blanca (no se incluye)**
Cada seis meses, lubrica con grasa blanca las bisagras de la puerta de seguridad nueva.

Cuidado y mantenimiento

Con el tiempo se pueden acumular polvo, suciedad e impurezas en el aire, lo que provocará defectos visuales en la puerta o la ventana y, si está equipado, en la malla Meshtec y, si no se elimina con regularidad y de manera adecuada, puede provocar más daños, manchas y corrosión. Tu programa de limpieza depende de tu ambiente:

AMBIENTE	DESCRIPCIÓN	PROGRAMA DE LIMPIEZA
Suave	Tierra adentro, rural, y lejos de la actividad urbana	cada 6 meses
Moderado	Urbano moderado/suburbano, tierra adentro	cada 3 meses
Extremo	Urbano extremo/suburbano, costero (dentro de 25 millas)	cada 2 a 4 semanas

Lava bien el marco de la puerta y malla Meshtec, si está equipado, con un paño suave, jabón suave y agua. No utilices disolventes fuertes o limpiadores a base de abrasivos. No espongas las manijas, bisagras, ni los cerrojos a cantidades excesivas de agua. Al concluir, elimina el exceso de agua con un paño seco y suave. Para los productos que incluyen una malla Meshtec, presta especial atención al secar completamente el área de unión de la malla al marco. Evita usar objetos afilados o materiales abrasivos en el marco de la puerta o en la malla. Utiliza grasa blanca para lubricar las bisagras en cada limpieza.

Para obtener detalles completos sobre la garantía, visite <https://helpmeinstallit.com/warranty-statement> o simplemente escanee el código QR a continuación.



Registre su producto en <https://uniquehd.com/registration/>